

DESCRIPTION

- G1/2 inlet connections
- Metal construction with various finishes identified by suffix

OPERATION

- Controlled by induction
- Operates with soft water

FLOW

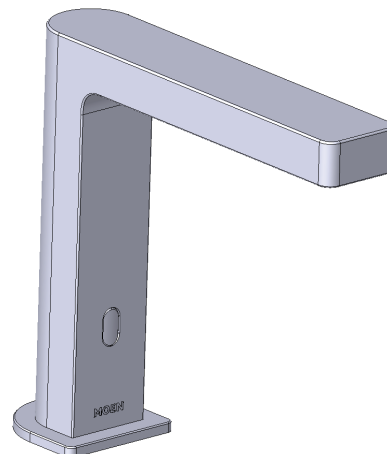
- Water flowrate is about 3.0L /min to 4.5 L/min at 0.1 Mpa
- Water flow difference is limited to 3.0 L/min minimum from 0.1 Mpa to 0.3 Mpa

STANDARDS

- Designed to meet CJT-164; GB 25501 (Grade 1)

WARRANTY

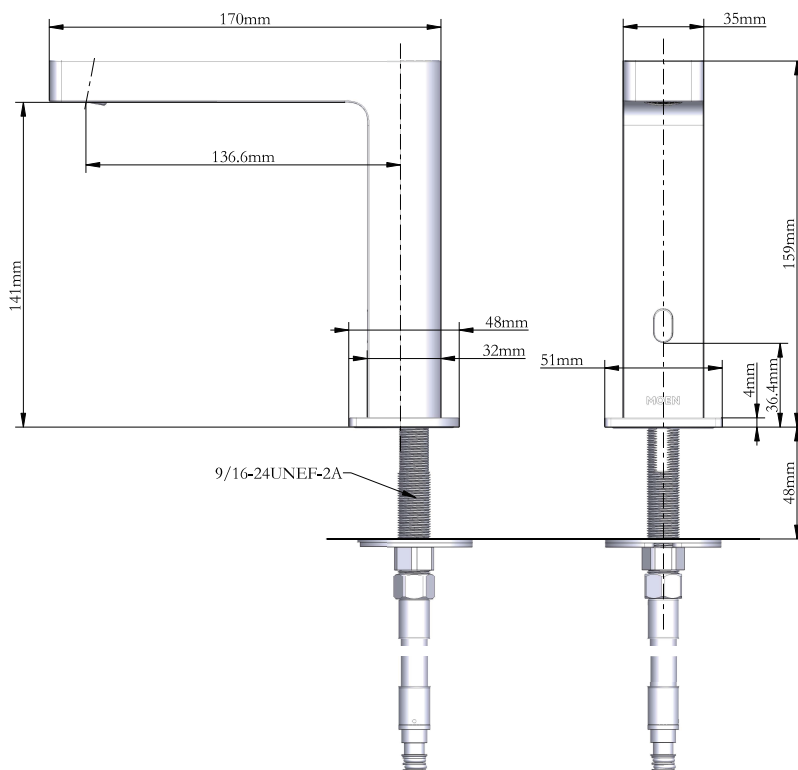
- 5 years limited warranty against leaks and drips



Essen

Single -Mount Sensor Lavatory Faucet

MODELS: GN86021 series
GN86022 series



CRITICAL DIMENSIONS DO NOT SCALE