

DESCRIPTION

- Metal construction with chrome plated finish.
- With 220V/28W LED light; Rough-in style.
- With normal and 3X glass.

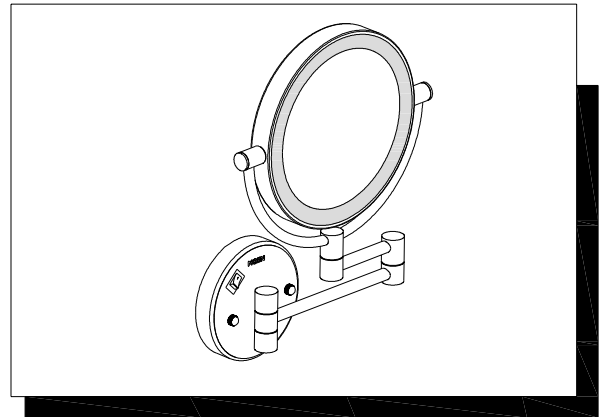
STANDARD

- Comply with GB1560-2006;GB/T 7000.1;GB/T 7000.201.
- Chrome plated finish pass AASS 24H grade 10.

WARRANTY

- 5 years limited warranty for chrome plated finish surface except artificial damage and chemicals erosion
- 2 years limited warranty for LED system except artificial damage and chemicals erosion

NOTE:ALL DIMENSIONS ARE MM.



FOLDING MAKE UP LED MIRROR
Models:ACC9961

