

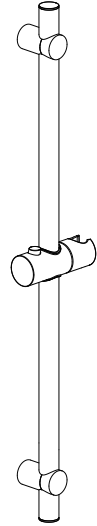
# MOEN® 摩恩

## 淋浴升降杆 安装说明书

### Shower Sliding Bar INSTALLATION INSTRUCTIONS

如需安装支持，配件丢失等，请联系MOEN。  
(中国) 400-630-8866  
www.moen.cn

PLEASE CONTACT MOEN FIRST  
For Installation Help, Missing or Replacement  
Parts  
(China) 400-630-8866  
www.moen.cn



图片仅供参考  
(款式因型号而异)

Image is for reference only  
(Style varies by model)

#### 推荐工具

为了安全和让安装和替换变得容易，Moen建议您使用以下工具：

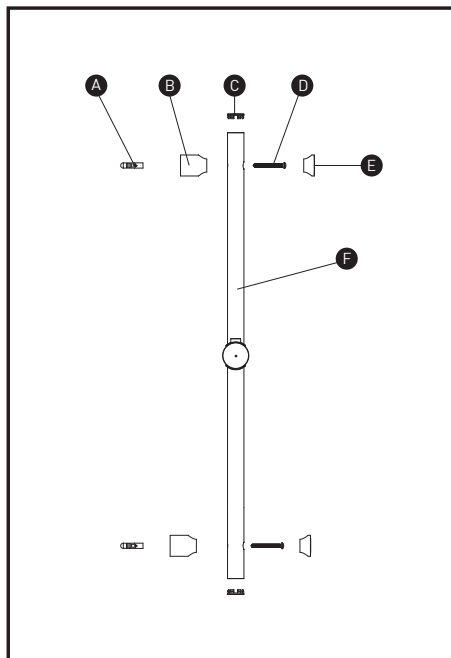
#### HELPFUL TOOLS

For safety and ease of replacement, Moen recommends the use of these helpful tools.



记录购买的型号：  
(保存安装说明书以备将来参考)

Record Purchased Model Number:  
(Save instruction sheet for future reference)



零件清单

- A. 膨胀管 x2
- B. 墙座 x2
- C. 圆形塞头 x2
- D. 自攻螺钉 x2
- E. 墙座盖 x2
- F. 滑杆组件 x1

Parts List

- A. Expansion tube x2
- B. Wall seat x2
- C. Round plug x2
- D. Self-tapping screws x2
- E. Wall seat cover x2
- F. Slider assembly x1

**敬告:**在墙上钻任何孔时，请确保在您准备钻孔的地方没有隐藏的管道和电缆!  
**申明:**本公司保留更改产品结构不另行通知的权利。

**安装注意事项:**

- 1.本产品已经通过出厂检测及调试，请勿自行拆卸。
- 2.安装前，请务必先清除墙体预埋水管内的杂物及污泥，以免影响出水功能。
- 3.本产品的工作压力: 0.05MPa~0.6MPa,推荐工作压力0.2MPa~0.5MPa.
- 4.当您在钻孔和安装时请注意安全。

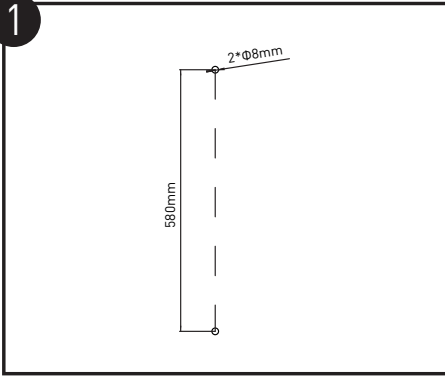
**WARNING:**Please ensure there are no hidden service pipes and cables where you intend to drill.

**DECLARE:**We reserve the rights to alter the structure of the product without any notice.

**IMPORTANCE FOR INSTALL ATION:**

- 1.The product has been passed the functionality test before ex-factory,please do not disassemble by yourself at will.
- 2.The working pressure of this product is 0.05MPa~0.6MPa.The recommended water pressure is 0.2MPa~0.5MPa.
- 3.Please be careful of your security while dilling and installing.

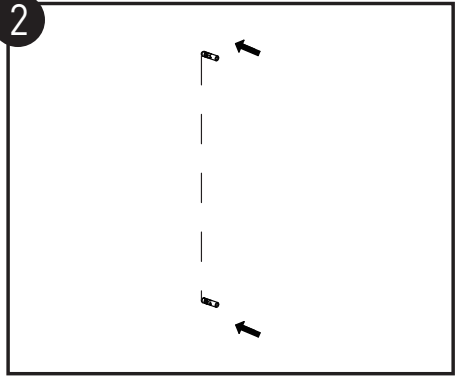
1



1. 用铅笔在墙上标记钻孔位置, 安装距离为580mm。
2. 选取规格为  $\Phi 8\text{mm}$  标准钻头安装在电钻上, 在标记位置处钻  $\Phi 8\text{mm}$ , 深40mm的孔。

1. Mark the drilling position on the wall with a pencil, and the installation distance is 580mm.
2. Choose a standard drill bit of  $\Phi 8\text{mm}$  and install it on the electric drill, and drill a hole of  $\Phi 8\text{mm}$  and 40mm deep at the marked position.

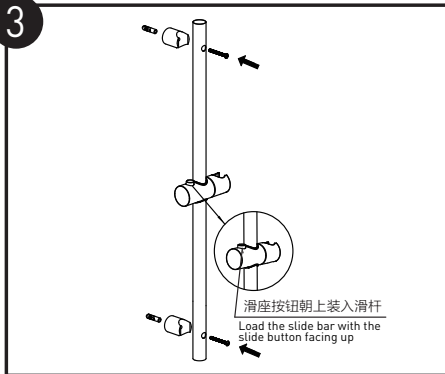
2



将膨胀管尖端对准孔位, 均匀用力安装入孔内。注意检查膨胀管端面需与墙面平齐。

If the pointed end of the expansion tube is aligned with the hole position, install it evenly into the hole. Note that the end face of the expansion pipe must be flush with the wall.

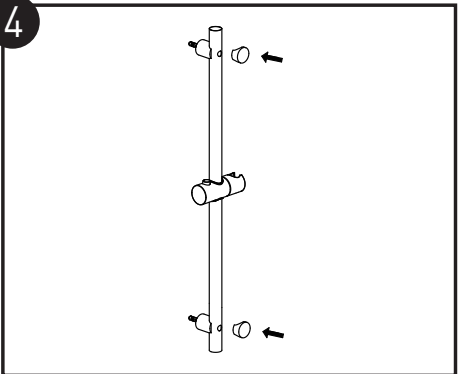
3



用十字螺丝起子、螺钉 (ST4.2\*30) 穿过滑杆将墙座固定到墙上, 墙座端面与墙面贴紧, 以确保墙座安装到位。

Use a Phillips screwdriver and screws [ST4.2\*30] to fix the wall base to the wall through the slide bar. The end of the wall base is tightly attached to the wall to ensure that the wall base is installed in place.

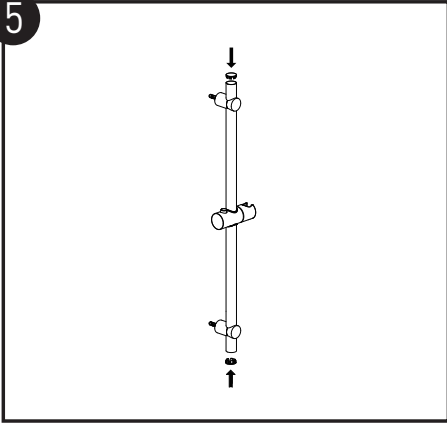
4



确认墙座组件贴紧墙壁后将扣盖装入上下墙座。

After confirming that the wall mount assembly is close to the wall, install the buckle cover into the upper and lower wall mounts.

5



将圆形塞头装入滑杆上下两端。

Install the round plugs into the upper and lower ends of the sliding rod.

## 使用说明

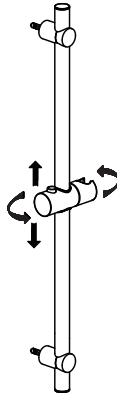
- 滑座按钮按下后，滑座可沿滑杆上下移动且可绕轴心旋转。
- 滑座调整到合适位置后放开按钮方可使用。

**注意：滑座承重<2KG。**

## Instructions for Use:

- After the sliding seat button is pressed, the sliding seat can move up and down along the sliding rod and can rotate around the axis.
- After the sliding seat is adjusted to a suitable position, release the button before use.

**Note: The sliding seat bearing capacity is less than 2KG.**



## 产品售后保修条款

摩恩产品是在高质量标准及生产工艺下制造的，摩恩承诺为消费者购买的洁具产品提供有期限免费保修及终身维修服务。

淋浴杆免费保修期为1年有限。均自消费者购买日（以摩恩产品分销商开具的发票或收据上载明日期为准）起计。

免费保修范围为产品及产品配件由于材质及工艺原因而造成的故障或损坏。免费保修期内，我们将无偿为您提供修理服务及更换发生故障的产品或产品配件。摩恩的售后服务责任仅限于对故障产品的修理，而不延及您因产品故障而发生的其他损失，法律另有规定的除外。

您需了解：产品外观碰伤、刻划痕迹，以及滥用及不正当保养所导致的故障或损坏，均不属于免费保修范围。即使在免费保修期内，属下列（1）-（5）情况之一的，需酌情收取修理费用：

1. 不能出示相符的保修卡和有效购买凭证情况的，
2. 未按使用说明告知的使用方法和注意事项造成的故障，
3. 自行拆卸、维修、改装所造成的故障和损坏，
4. 由于不可抗力等外部原因引起的故障和损坏，
5. 由于运输、搬运、挤压等造成的损坏。

对于保修期外或不在保修范围内的产品，如需维修，摩恩将酌情收取上门费、人工费及材料费。

本保修条款仅对原始消费者和酒店行业的购买者有效，并不适用于本产品工业、商业、贸易或非酒店行业的使用。

如对本保修条款内容有任何疑问，请拨打400 630 8866 咨询热线，或向当地分销商咨询。

## MOEN LIMITED WARRANTY

We offer limited warranty and lifetime maintenance for Moen products, which are all manufactured with high standards of workmanship.

The period of warranty shall start from the date of purchase of the product (according to the invoice or receipt issued by Moen distributors) and shall cover a period of the following: the warranty period for shower bar is 1 year.

This warranty is your coverage against material and workmanship malfunction or defects in Moen products or components. During the warranty period, we offer free maintenance and changing of malfunctioned products or product components. Moen's after sales service liability is limited to the maintenance of faulty items and does not cover your other losses caused by product malfunction, except for otherwise stipulated by law.

Cosmetic damages (scratches, dents, etc.) and malfunction or defects caused by abuse or improper maintenance is not covered by this warranty. Although the warranty period remains valid, in case of the following conditions (1) - (5), the maintenance cost (material cost and labor cost) shall still be charged as the case may be:

1. Corresponding warranty card and valid invoice cannot be presented;
2. Faults were caused by the incompliance with the instructions and precautions provided in the user's manual;
3. Damages and faults were caused by self-actuated dismantling, repair and re-fit;
4. Faults and damages were caused by external factors such as force majeure;
5. Damages were caused by transportation, unloading and extrusion, etc.

This warranty is valid for the original consumers only (including hotel use), and excludes industrial and commercial use of the product (except for hotel use). This card is only responsible for product maintenance rather than any other liabilities.

In the event that the product requires maintenance but exceeds the warranty period, or that the product is not covered by this warranty, labor cost and material cost shall be charged as the case may be. Please call 400-630-8866 or contact local dealer for any question.

# MOEN 摩恩

## 合格证 Compliance Certification

产品名称  
Product Name 淋浴升降杆  
Shower Sliding Bar

检验员  
Inspector \_\_\_\_\_

生产日期  
Date of Production \_\_\_\_\_

富俊汇赢科技（上海）有限公司  
中国（上海）自由贸易试验区新杨公路  
1800弄1号4幢207室  
邮编：201413

Fortune Brands Innovations (Shanghai) Co., Ltd  
Room 207, Building 4, No. 1, Lane 1800, Xinyang Highway,  
China (Shanghai) Pilot Free Trade Zone