

MOEN® 摩恩

Specifications

产品主要特点 Main Features of The Product:

座圈加热、抗菌座圈、座圈感应、旋钮控制、来电自启、停电冲水、预润净瓷、安全保护、自动断电、抗菌喷枪空气隔离和防止逆流等。

Seat Heating, Antibacterial Seat, Sitting Sensor, Knob Control, Auto-start, Emergency Flushing, Pre-flushing, Safety Protection, Automatic Power Off, Antibacterial Nozzle, Air Isolation, Anti Counterflow, etc.

产品规格 Product Specifications: 687mm*419mm*467mm

冲水方式 Flush Mode: 喷射虹吸式 Siphon flush

坑距 Rough-in: 305mm(SW1394C)
400mm(SW1394D)

供水压力范围 Inlet Water Pressure Range: 0.14MPa-0.75MPa

输入 Input: 220V ~ 50Hz

额定功率 Rated Power: 1200W

电击防护类别 Electric Shock Protection Category: TYPE I

防水等级 Waterproof Level: IPX4

安全装置 Security Device:

温度传感控制系统、熔断器、温度传感器系统、防干烧系统、过温保护系统、水电隔离系统、可恢复温度开关

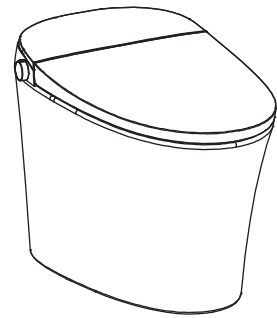
Temperature sensing control system, fuse, Temp sensor control system, Dry burning-resistant protection device, over temp protection system, water and electricity isolation system, Temperature reset switch

执行标准 Execute Standard:

GB/T 6952-2015

GB/T 23131-2019

GB 38448-2019



新瑞达系列 FIESTA Series 智能坐便器 Intelligent Toilet

Models:

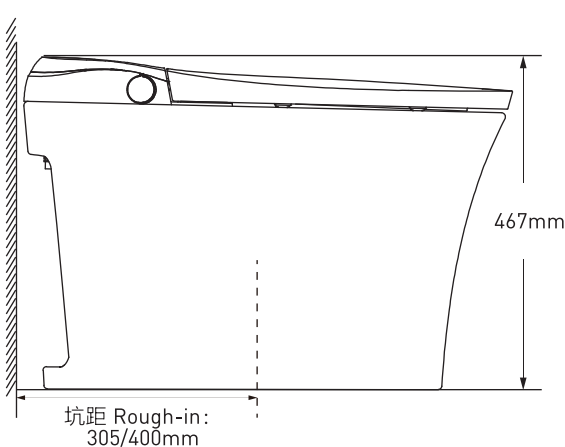
SW1394C(坑距 Rough-in: 305mm)

SW1394D(坑距 Rough-in: 400mm)

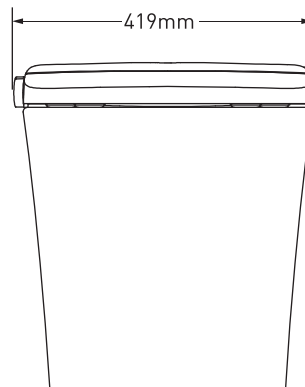
注意: 本公司保留随时变更图中标示尺寸的权利, 无需另行通知。

Note: The company reserves the right to change the dimensions on the drawing without prior notice.

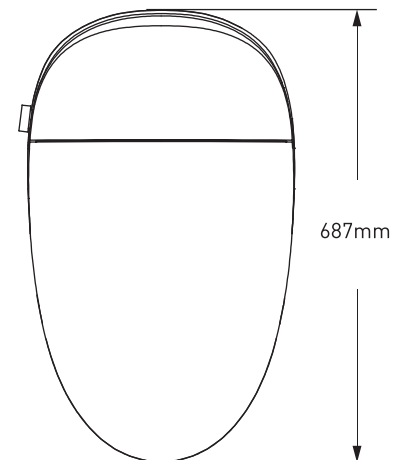
完工墙面
Completion of metope



侧面图 Side View



正视图 Front View



俯视图 Top View

CRITICAL DIMENSIONS DO NOT SCALE

功能表 Function Table

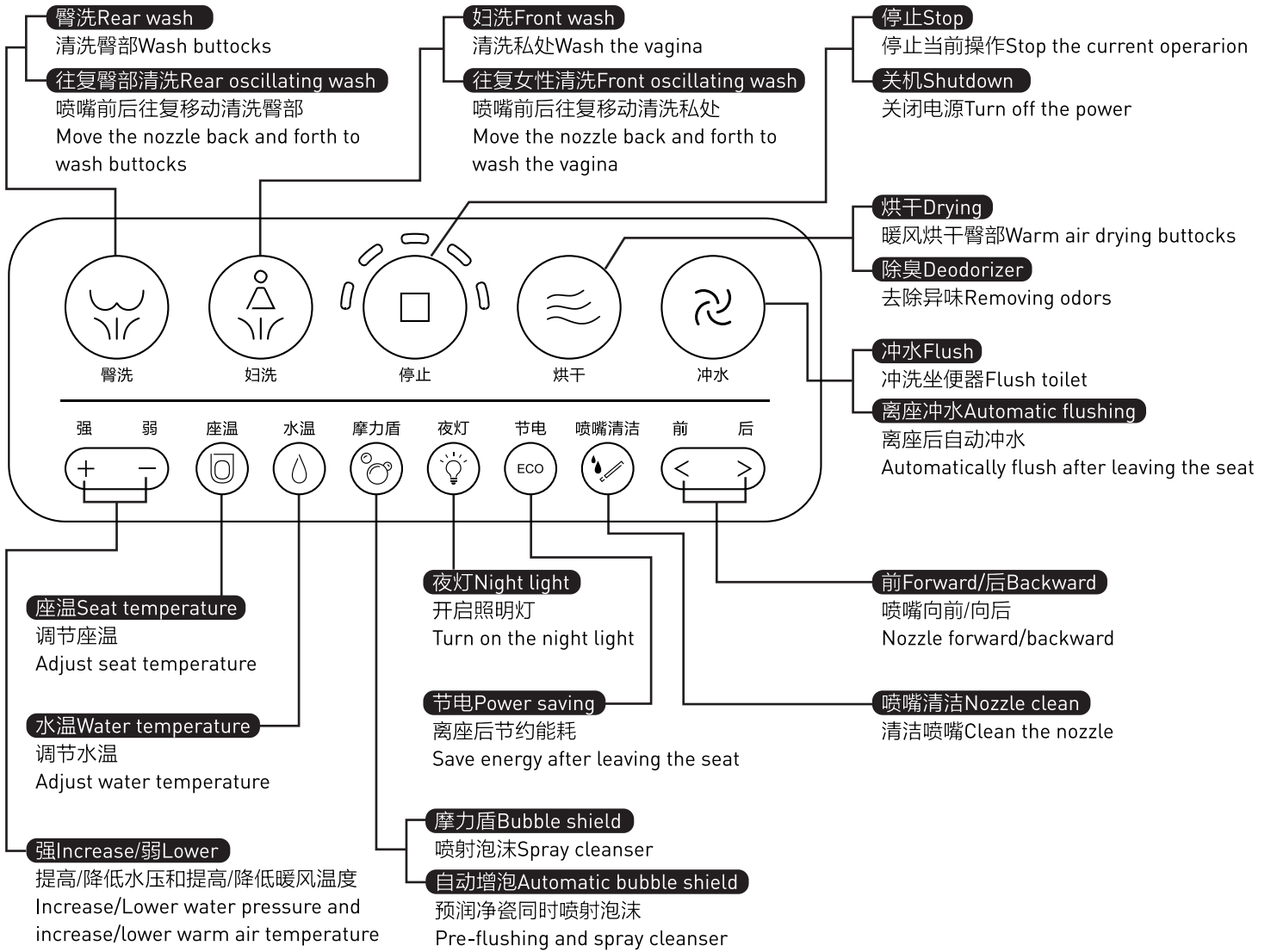
功能分类 Functional Classification	功能 Function	型号 Model	SW1394C/D 枪灰 Gun Grey
冲水类 Washing	虹吸冲水 Siphon Flushing		●
	易洁釉面 Easy Clean Glaze		●
	预润净瓷 Pre-flushing		●
	遥控冲水 Remote Control Flushing		●
	离座冲水 Automatic Flushing		●
	烘干冲水 Wind Drying with Flushing		●
	侧边键冲水 Side Button Flushing		●
	停电冲水 Emergency Flushing		●
	摩力盾 Bubble Shield		●
清洗类 Cleaning	前置过滤（不锈钢网） Pre-filter（Stainless steel mesh）		●
	臀洗 Rear Wash		●
	妇洗 Front Wash		●
	一键清洗 One-touch Control		●
	往复清洗 Moving Wash		●
	气泡清洗 Air bubble Wash		●
	水压调节 Water-pressure Adjustment		●
	水温调节 Water Temperature Adjustment		●
	喷嘴位置调节 Nozzle Position Adjustment		●
	抗菌喷枪 Antibacterial Nozzle		●
喷嘴自洁 Nozzle Self Cleaning		●	
即热恒温 Instant Heating		●	
灯光类 Lighting	LED夜灯 Night Light		●
舒适便捷类 Comfort and Convenience	座圈加热 Seat Heating		●
	抗菌座圈 Antibacterial Seat		●
	暖风烘干 Wind Drying		●
	自动除臭 Automatic Deodorization		●
	喷嘴保养 Nozzle Maintenance		●
	座盖缓降 Soft-close Cover		●
	座圈缓降 Soft-close Seat		●
	便捷拆卸 Easy Disassembly		●
	来电自启 Auto-start		●
	智能节电 Smart Energy Saving		●
自动断电 Automatic Power Off		●	
控制类 Controlling	遥控控制 Remote Control		●
	旋钮控制 Knob Control		●
	电源开/关控制 Power Button		●
	侧边停止按键 Side Stop Button		●
	座圈感应 Sitting Sensor		●
	座温调节 Seat Temperature Adjustment		●
	风温调节 Wind Drying Adjustment		●
安全类 Safety	空气隔离 Air Isolation		●
	防止逆流 Anti Counterflow		●
	安全保护 Safety Protection		●

备注：● 代表产品有此功能。

Note: ● indicates that the product has this function.

CRITICAL DIMENSIONS DO NOT SCALE

遥控器的使用说明 Remote Control Use Instructions



指示灯Indicator	指示灯状态 Indicator state	座温 Seat temperature	水温 Water temperature	水压 Water pressure	风温 Wind temperature
	1个灯亮 1 light on	33°C	33°C	1档 / 1 gear	1档 / 1 gear
	2个灯亮 2 light on	指示灯不亮 Indicator off	指示灯不亮 Indicator off	2档 / 2 gear	2档 / 2 gear
	3个灯亮 3 lights on	36°C	36°C	3档 / 3 gear	3档 / 3 gear
	5个灯亮 5 lights on	39°C	39°C	4档 / 4 gear	4档 / 4 gear

CRITICAL DIMENSIONS DO NOT SCALE

侧面旋钮的使用说明 Side Turning Knob Use Instructions

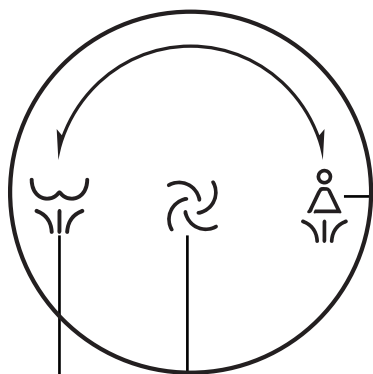
电源Power/关机Shutdown

待机时，长按旋钮3秒关机，指示灯熄灭。

关机时，前旋/后旋/按压等动作均会开机，产品自动进入待机状态。

When in standby, press and hold the knob for 3 seconds to shut down, and the indicator light goes out.

When it is turned off, the work such as forward rotation/back rotation/pressing will be turned on, and the product will automatically enter the standby state.



智能臀洗Smart rear wash

开机着座并且无操作时

旋钮后旋，先臀洗1分钟，再执行冲水，然后暖风烘干2分钟。

快速烘干：臀洗过程中旋钮再次往后旋，停止臀洗，先执行冲水，开启暖风烘干。

停止：臀洗/烘干过程中，按压旋钮，进入待机模式。

When powered on and seated without operation

Turn the knob back, rear wash for 1 minute, then flush, and then dry in warm air for 2 minutes.

Fast drying: Turn the knob back again during the rear washing process, stop rear washing, will first perform flushing, then turn on the warm air drying.

Stop: During rear washing/drying process, press the knob to enter standby mode.

暖风烘干Warm air drying

开机着座并且无操作时，长按旋钮3秒，开始吹送暖风。

停止：烘干过程中，按压旋钮，进入待机模式。

注意：烘干冲水开启时，在启动烘干前，将先执行冲水。

When powered on and seated without operation, long press knob for 3 seconds, start warm air drying.

Stop: During warm air drying process, press the knob to enter standby mode.

Note: When you turn on wind drying with flushing, toilet will flush firstly before starting drying.

智能妇洗Smart front wash

开机着座并且无操作时

旋钮前旋，先妇洗1分钟，再执行冲水，然后暖风烘干2分钟。

快速烘干：妇洗过程中旋钮再次往前旋，停止妇洗，先执行冲水，再开启暖风烘干。

停止：妇洗/烘干过程中，按压旋钮，进入待机模式。

When powered on and seated without operation

Turn the knob forward, front wash for 1 minute, then flush, and then dry in warm air for 2 minutes.

Fast drying: Turn the knob forward again during the front washing process, stop front washing, will first perform flushing, then turn on the warm air drying.

Stop: During front washing/drying process, press the knob to enter standby mode.

冲水Flush

待机时按压旋钮启动大冲水。

待机时快速按压旋钮2次，启动小冲水。

When in standby, press the knob to start a big flush.

When in standby, quickly press the knob twice to start a small flush.

旋钮灯光开关Knob light control

关机状态下，旋钮长按3秒，关闭/开启旋钮灯光，同时开启主机。

当设置为关闭时，主机开机状态下旋钮灯光不再亮起，直至重新切换为开启状态。

In shutdown state, long press the knob for 3 seconds, turn off/on the knob light, and turn on the machine at the same time.

When it is set to off state, the light of the knob will no longer light up when the machine is on, until it is switched to on state again.

CRITICAL DIMENSIONS DO NOT SCALE