

镜柜

摩登系列

安装使用说明书

Mirror Cabinet

MODERN Series

INSTALLATION INSTRUCTIONS

如需安装支持，配件丢失等，请联系MOEN。
(中国) 400-630-8866

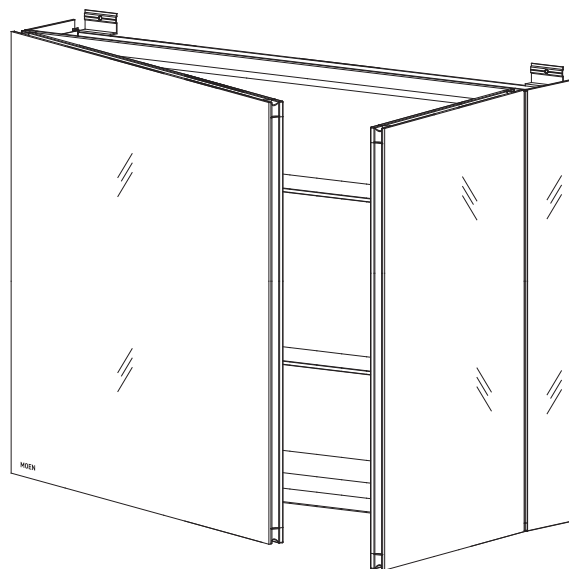
www.moen.cn

PLEASE CONTACT MOEN FIRST

For Installation Help, Missing or Replacement
Parts

(China)400-630-8866

www.moen.cn



图片仅供参考
(款式因型号而异)

Image is for reference only
(Style varies by model)

推荐工具

为了安全和让安装和替换变得容易，Moen建议您使用以下工具：

HELPFUL TOOLS

For safety and ease of replacement, Moen recommends the use of these helpful tools.



记录购买的型号：
(保存安装说明书以备将来参考)

Record Purchased Model Number:
(Save instruction sheet for future reference)

订购信息 Ordering Information

BCM10-004HDN 500mm镜柜升级	BCM10-004HDN Mirror Cabinet 500mm Upgrade
BCM10-003HDN 635mm镜柜升级	BCM10-003HDN Mirror Cabinet 635mm Upgrade
BCM10-005HDN 800mm镜柜升级	BCM10-005HDN Mirror Cabinet 800mm Upgrade

镜柜尺寸图 Rough-in Dimension

单位 Unit: mm

产品名称 Product Name	参考值 (L*W*H) Reference Value	示意图 Diagram
500mm 镜柜 Mirror Cabinet	500x130x650	
635mm 镜柜 Mirror Cabinet	635x130x650	
800mm 镜柜 Mirror Cabinet	800x130x700	

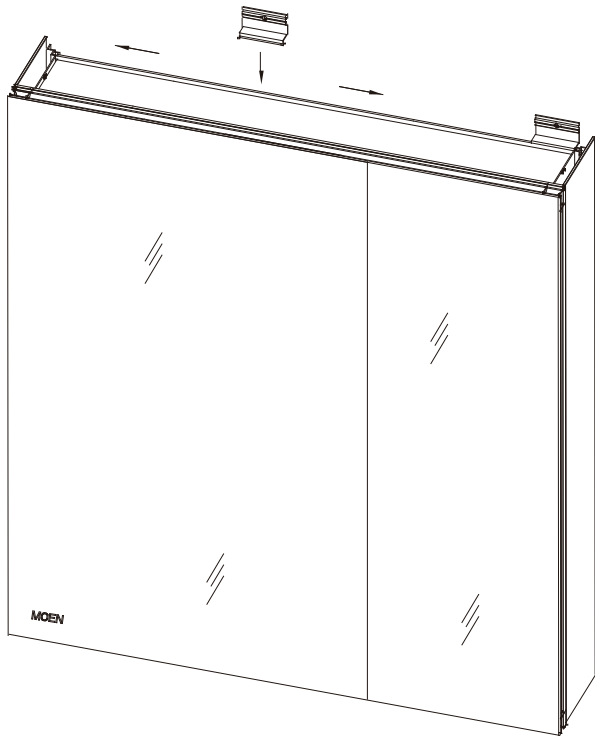
注：摩恩公司保留随时变更图中尺寸的权利，无需另行通知。

Note: MOEN reserves the right to change marked dimensions without prior notice.

镜柜安装

一. 安装上墙码

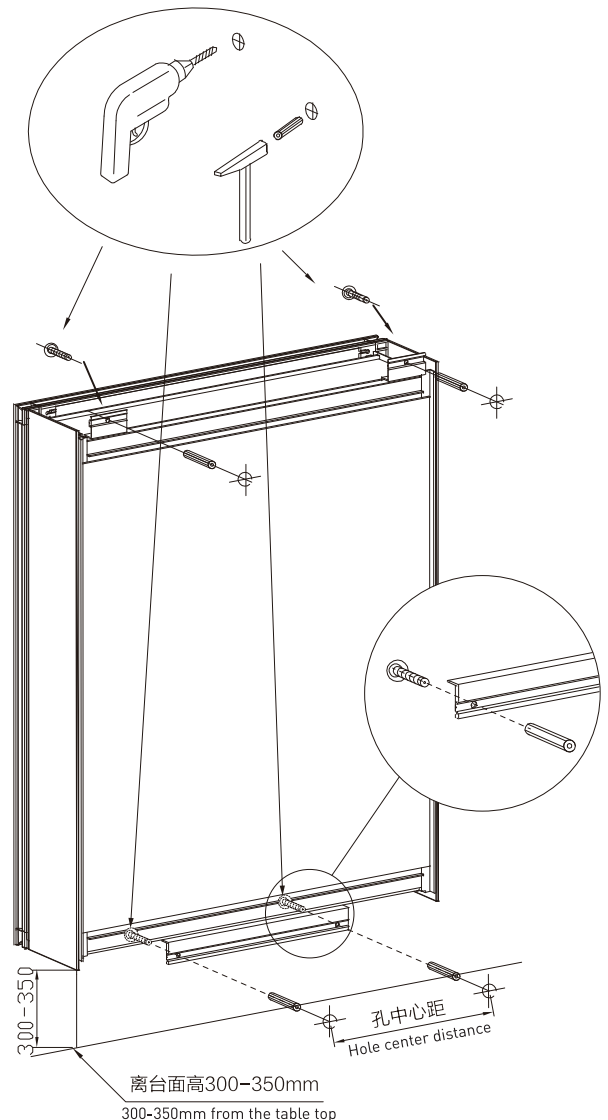
1. 拿出底码，水平放置。
2. 按底码上的孔距进行钻孔。先固定好底码，将柜体放在底码上。
3. 将顶码向两边推到尽头（见下图），用螺钉固定。
 - 固定位置时注意用水平尺调整好水平度。
 - 不同墙面需要不同型号的膨胀螺丝，请使用合适型号的膨胀螺丝和钻头，摩恩只提供标配的膨胀螺丝，其它型号螺丝请另外购买。
 （摩恩标配的膨胀管为直径6mm的膨胀管，请使用钻头钻直径6mm的挂墙孔。）



Install Mirror Cabinet

Install Top Clip

1. Take out the mounting bar and put level.
2. Drill holes according to the hole spaces. Fix the Mounting Bar first and then put the cabinet on the Mounting Bar.
3. Push Top Clips to both sides to the end, and then fix with screws.
 - When fixing the position, adjust the levelness with a spirit level.
 - Different types of expansion screws are required for different walls. Please use the appropriate expansion screw and drill. Moen only provides the standard expansion screw, other types of screws should be purchased separately.
 (The standard expansion pipe of Moen is a 6 mm diameter expansion pipe. Please use a drill to drill a 6 mm diameter wall hole.)



孔中心距 Hole Center Distance

型号 / SKU	产品名称 / Product Name	孔中心距 / Hole Center Distance
BCM10-004HDN	500mm镜柜升级	220mm
BCM10-003HDN	635mm镜柜升级	287mm
BCM10-005HDN	800mm镜柜升级	370mm

二. 安装玻璃层板

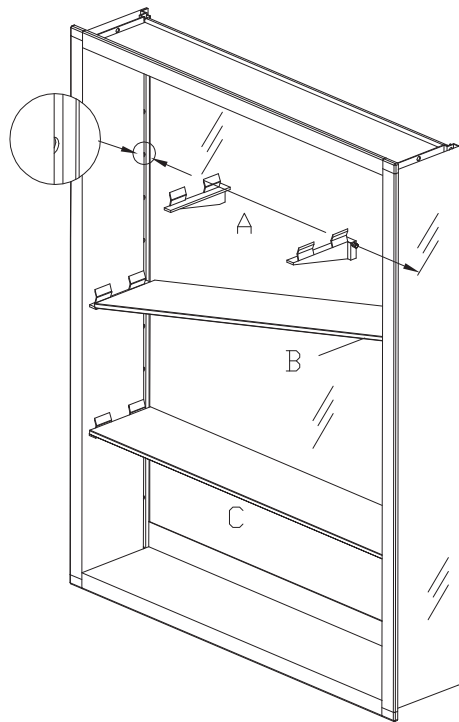
按照下图A-B-C的顺序依次固定玻璃层板。

1. 将嵌入式层板托插入两边侧孔。装层板托要注意使左右孔对应。
2. 倾斜层板，使其任意一端先放进层板托，另一端再压下卡稳。

Install Shelf Clip

Fix the Glass shelves in the order of A-B-C.

1. Insert the snap-in pins into the side holes. The right hole and left hole must be matched.
2. Tilt the Glass shelves and insert one end into the supporting plate, and press down another end and fix it.



产品售后保修条款

摩恩产品是在高质量标准及生产工艺下制造的，摩恩承诺为消费者购买的洁具产品提供有期限免费保修及终身维修服务。

浴室柜免费保修期为1年，均自消费者购买日（以摩恩产品分销商开具的发票或收据上载明日期为准）起计。

免费保修范围为产品及产品配件由于材质及工艺原因而造成的故障或损坏。免费保修期内，我们将无偿为您提供维修服务及更换发生故障的产品或产品配件。摩恩的售后服务责任仅限于对故障产品的修理，而不延及您因产品故障而发生的其他损失，法律另有规定的除外。

您需了解：产品外观碰伤、刻划痕迹，以及滥用及不正当保养所导致的故障或损坏，均不属于免费保修范围。即使在免费保修期内，属下列（1）-（5）情况之一的，需酌情收取修理费用：

1. 不能出示相符的保修卡和有效购买凭证情况的，
2. 未按使用说明告知的使用方法和注意事项造成的故障，
3. 自行拆卸、维修、改装所造成的故障和损坏，
4. 由于不可抗力等外部原因引起的故障和损坏，
5. 由于运输、搬卸、挤压等造成的损坏。

对于保修期外或不在保修范围内的产品，如需维修，摩恩将酌情收取上门费、人工费及材料费。

本保修条款仅对原始消费者和酒店行业的购买者有效，并不适用于本产品工业，商业，贸易和非酒店行业的使用。

如对本保修条款内容有任何疑问，请拨打400 630 8866 咨询热线，或向当地分销商咨询。

MOEN LIMITED WARRANTY

We offer limited warranty and lifetime maintenance for Moen products, which are all manufactured with high standards of workmanship.

The period of warranty shall start from the date of purchase of the product (according to the invoice or receipt issued by Moen distributors) and shall cover a period of the following: The warranty period for bathroom cabinet is 1 year.

This warranty is your coverage against material and workmanship malfunction or defects in Moen products or components. During the warranty period, we offer free maintenance and changing of malfunctioned products or product components. Moen's after sales service liability is limited to the maintenance of faulty items and does not cover your other losses caused by product malfunction, except for otherwise stipulated by law. Cosmetic damages (scratches, dents, etc.) and malfunction or defects caused by abuse or improper maintenance is not covered by this warranty. Although the warranty period remains valid, in case of the following conditions (1) - (5), the maintenance cost (material cost and labor cost) shall still be charged as the case may be:

1. Corresponding warranty card and valid invoice cannot be presented;
2. Faults were caused by the incompliance with the instructions and precautions provided in the user's manual;
3. Damages and faults were caused by self-actuated dismantling, repair and refit;
4. Faults and damages were caused by external factors such as force majeure;
5. Damages were caused by transportation, unloading and extrusion, etc.

This warranty is valid for the original consumers only (including hotel use), and excludes industrial and commercial use of the product (except for hotel use). This card is only responsible for product maintenance rather than any other liabilities.

In the event that the product requires maintenance but exceeds the warranty period, or that the product is not covered by this warranty, labor cost and material cost shall be charged as the case may be.

Please call 400-630-8866 or contact local dealer for any question.

MOEN® 摩恩

合格证 Compliance Certification

产品名称 镜柜
Product Name Mirror Cabinet

检验员 _____
Inspector _____

生产日期 _____
Date of Production _____

富俊汇赢科技（上海）有限公司
中国（上海）自由贸易试验区新杨公路
1800弄1号4幢207室
邮编：201413

Fortune Brands Innovations (Shanghai) Co., Ltd
Room 207, Building 4, No.1, Lane 1800, Xinyang Highway,
China (Shanghai) Pilot Free Trade Zone