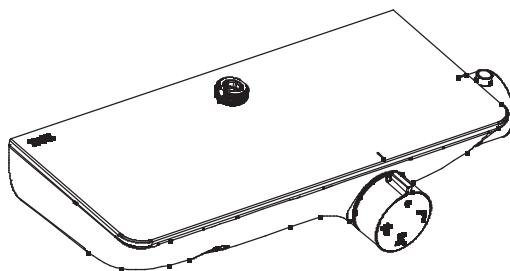


## 恒温浴缸花洒龙头

安装说明书

### Thermostatic Tub Shower Faucet INSTALLATION INSTRUCTIONS



如需安装支持，配件丢失等，请联系MOEN。  
(中国) 400-630-8866  
www.moen.cn

PLEASE CONTACT MOEN FIRST  
For Installation Help, Missing or Replacement  
Parts  
(China) 400-630-8866  
www.moen.cn

#### 推荐工具

为了安全和让安装和替换变得容易，Moen建议您使用以下工具：

#### HELPFUL TOOLS

For safety and ease of replacement, Moen recommends the use of these helpful tools.

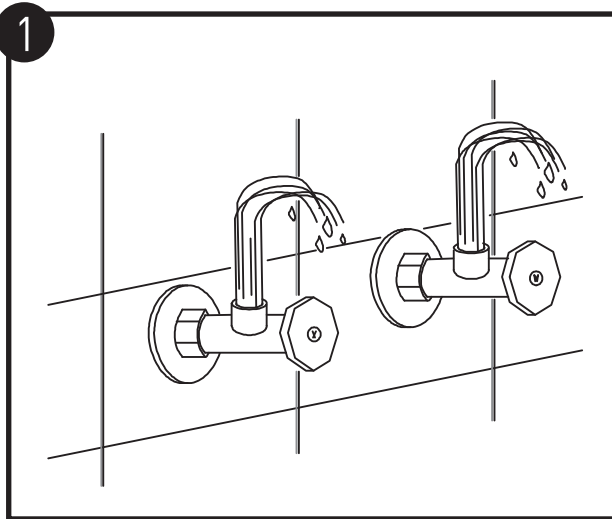


图片仅供参考  
(款式因型号而异)

Image is for reference only  
(Style varies by model)

记录购买的型号：  
(保存安装说明书以备将来参考)

Record Purchased Model Number:  
(Save instruction sheet for future reference)



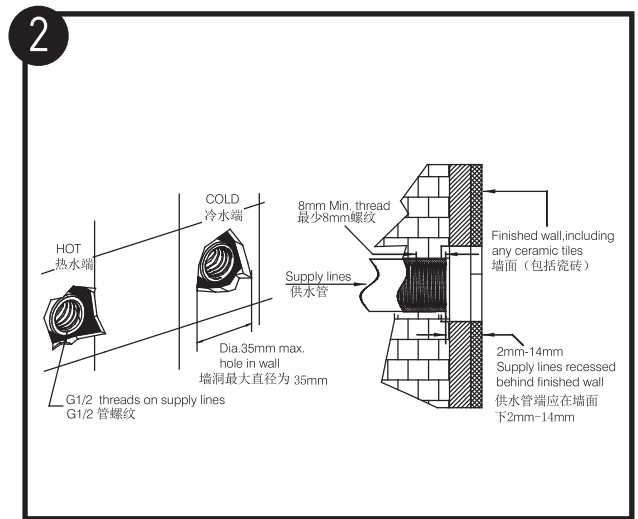
### 移除旧龙头注意事项

拆除现有水龙头或拆卸阀门之前，请务必先关闭供水。打开水龙头手柄全关闭水源。

### CAUTION — TIPS FOR REMOVAL OF OLD FAUCET:

Always turn water supply OFF before removing existing faucet or disassembling the valve.

Open faucet handle to relieve water pressure and ensure that complete water shut-off has been accomplished.

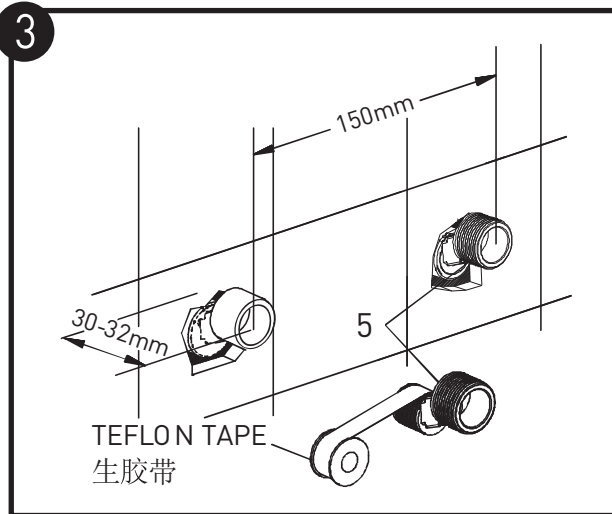


### 供水压力及温度要求

1. 理想工作压力: 0.1–0.5Mpa;
2. 冷水进水温度: 4–29°C;  
热水进水温度: 55–85°C; 建议正常使用温度为55–65°C。

### Water supply Requirement

1. The ideal working pressure: 0.1-0.5Mpa;
2. Cold water supply temperature: 4-29°C;  
Hot water supply temperature: 55-85°C  
[55-65°C is suggested].

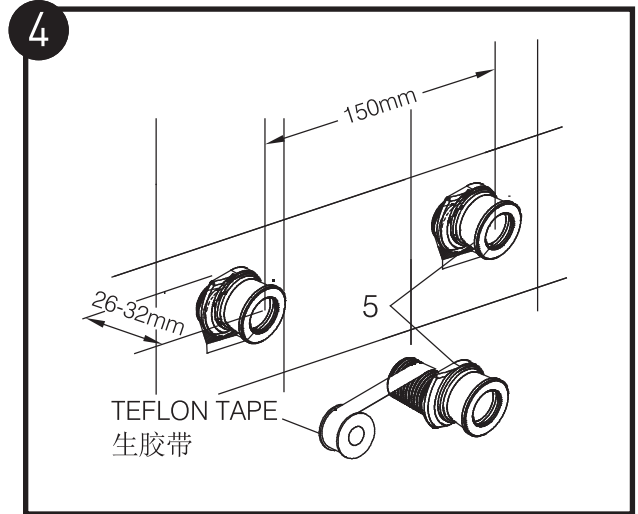


### 普通之字接头安装

用生胶带缠上弯头(5)较小的一头，然后接上供水管。要有足够的生胶带以密封弯头与出水管间的连接处。调整两弯头位置水平，相距150mm，并凸出墙面30–32mm。

Product with general inlet elbow

Apply teflon tape to smaller ends of inlet elbows(5) and thread inlet elbows into supply lines. Use enough teflon tape to ensure a good seal between inlet elbows and supply lines. Rotate inlet elbows until they are level. 150mm apart, and protrude from the wall 30 to 32mm.

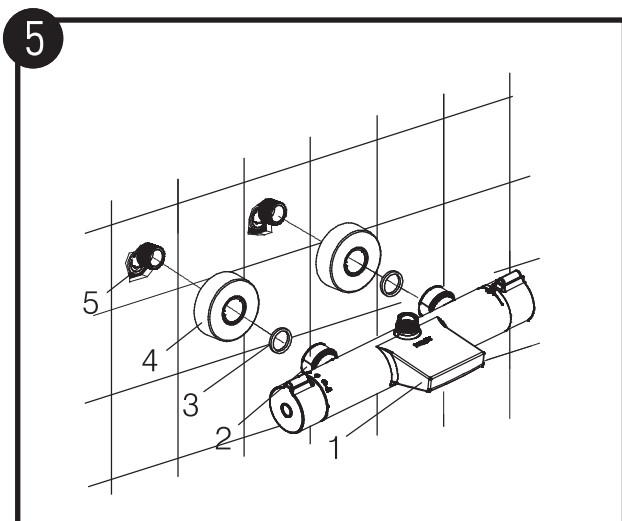


### 特殊之字接头安装

用生胶带缠上弯头(5)较小的一头，然后接上供水管。要有足够的生胶带以密封弯头与出水管间的连接处。调整两弯头位置水平，相距150mm，并凸出墙面26–32mm。

Product with special inlet elbow

Apply teflon tape to smaller ends of inlet elbows(5) and thread inlet elbows into supply lines. Use enough teflon tape to ensure a good seal between inlet elbows and supply lines. Rotate inlet elbows until they are level. 150mm apart, and protrude from the wall 26 to 32mm.

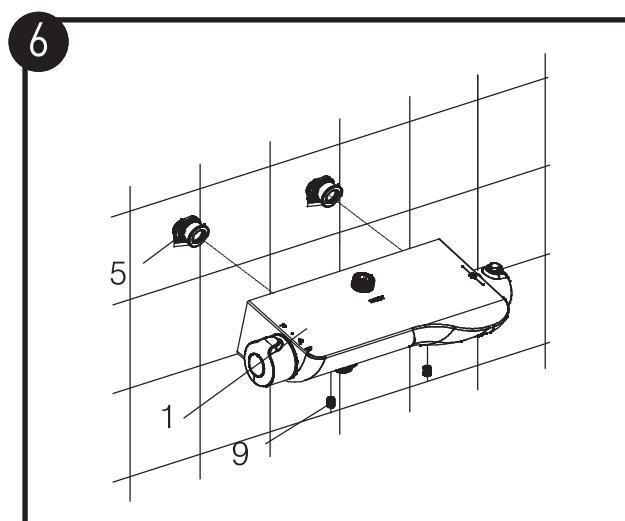


### 普通之字接头安装

将法兰罩(4)穿入弯头(5),使法兰罩与墙壁平齐。将垫圈(3)放入阀体上的连接螺母(2)内,并用扳手将连接螺母与弯头拧紧。

Product with general inlet elbow

Thread wall flange(4) onto inlet elbows(5), tighten wall flanges until they touch the wall. Insert washers(3) into connection nut(2) on valve body. Thread connection nuts onto inlet elbows with a wrench.

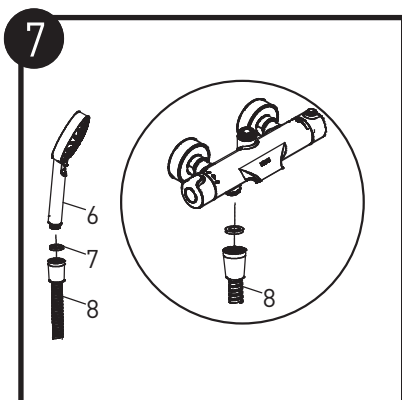


### 特殊之字接头安装

将阀体(1)套入之字接头(5),用固定螺丝(9)锁紧。

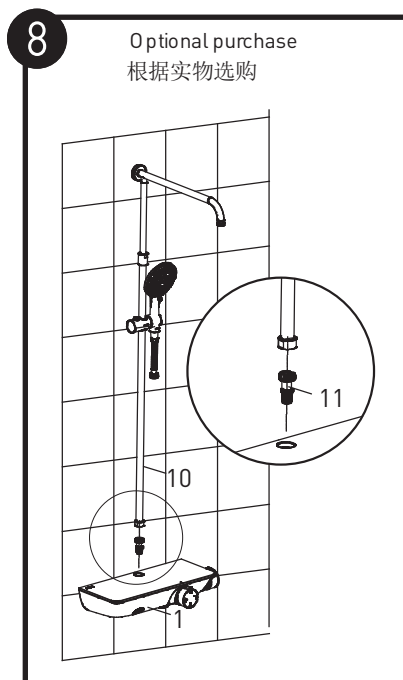
Product with special inlet elbow

Inlet elbows(5) insert to Valve body(1), Thread set screw(9) onto inlet elbows



确保花洒软管(8)的两端都带有密封垫片(7)。将花洒软管的一端连接花洒(6),另一端连接阀体的花洒连接头。

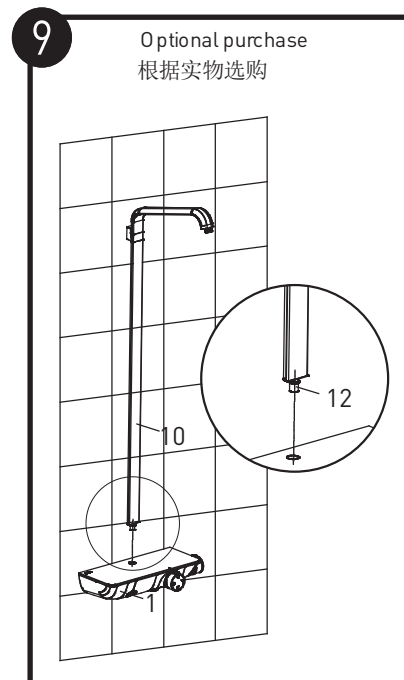
Be sure that both ends of shower hose(8) contain black rubber washers(7). Thread one end of shower hose(8) onto handheld shower(6). Thread opposite end of shower hose(8) onto Valve body handheld shower connector.



Optional purchase  
根据实物选购

将连接头(11)安装在阀体(1)上,然后将淋浴杆连接到阀体(1)

Fix bracket(11) to valve body(1), Then connect Bar(10) with Valve Body



Optional purchase  
根据实物选购

卸除保护盖(12)后,直接将淋浴杆连接阀体(1)

Remove cap(12), Then connect Bar(10) with Valve Body

## 使用方法

• 功能转换把手之使用方法：  
淋浴龙头功能切换把手可90° 旋转；具有关闭，手持花洒功能；

- 转动切换阀把手至" "或" "位置时，水嘴出水；
- 转动切换阀把手至" "或" "位置时，手持花洒出水；
- 转动切换阀把手至" "或" "位置时，头顶花洒出水(不适用于2功能龙头)；
- 转动切换阀把手至" "或" "位置时，水路关闭。

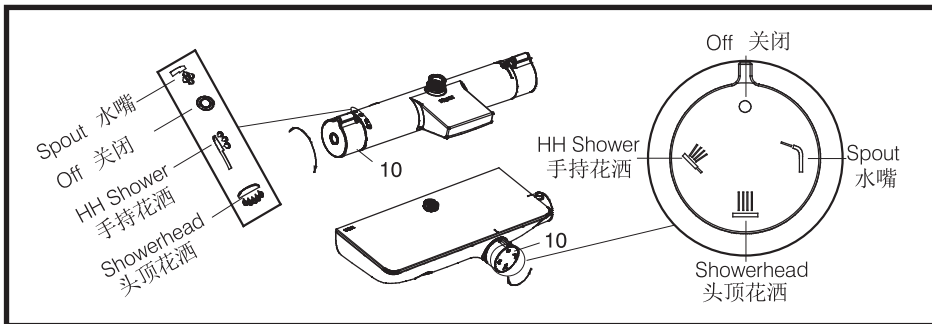
## Usage

• Usage of Diverter handle:

Shower faucet Diverter handle can be rotated by 90°, with functions of Handheld shower, Off. Tub/Shower faucet Diverter handle can be rotated by 180°, every 90° have one function: Off, Handheld shower, Spout.

The diverter valve controls the off, handshower and spout.

- Turn the diverter handle to " " or " " , the water comes out from spout .
- Turn the diverter handle to " " or " " , the water comes out from handheld shower .
- Turn the diverter handle to " " or " " , the water sprays from shower head . not apply to 2F faucet).
- Turn the diverter handle to " " or " " , turn off .



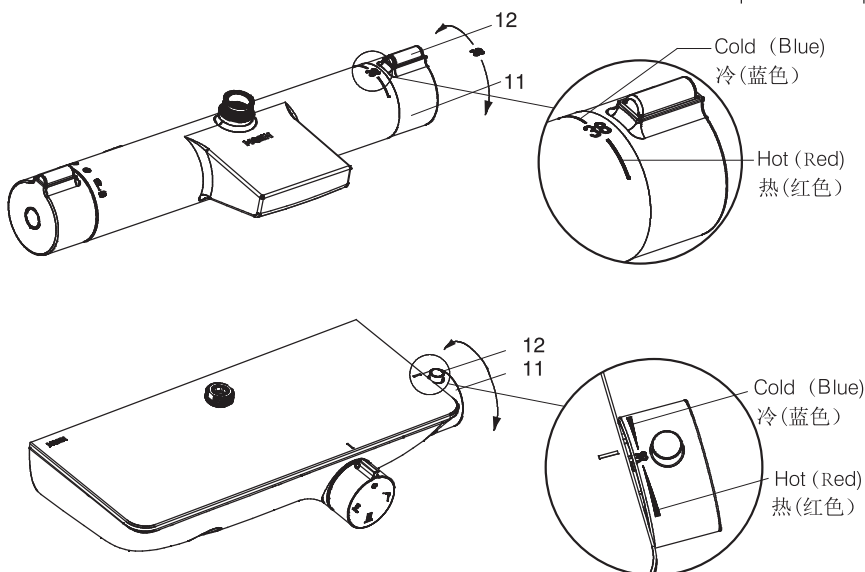
本产品出厂时已经将出水温度设置在20至49摄氏度之间；在38摄氏度位置有卡位，当需要高于38摄氏度的水温时，请按下按钮(12)并逆时针旋转调温把手(11)；当需要的水温低于38摄氏度时，顺时针旋转调温把手(11)，可以降低出水温度

2.Usage of controlling temperature of water by the handle with a button(14):

Factory established temperature range from 20 °C to 49°C ;

Safety stop preset temperature at 38°C calibration;

- Turn the handle (11) clockwise , water temperature will turn to 20°C from 38°C;
- Press the button down and turn the handle(11) anticlockwise, water temperature will up to 49°C;





## 产品售后保修条款

摩恩产品是在高质量标准及生产工艺下制造的，摩恩承诺为消费者购买的洁具产品提供有期限免费保修及终身维修服务。

龙头免费保修期为：阀芯5年，电磁阀感应器2年，其它附件如淋浴杆、软管、花洒、落水、把手、装饰盖、提拉杆、混水器等保修期均为1年有限。均自消费者购买日（以摩恩产品分销商开具的发票或收据上载明日期为准）起计。

免费保修范围为产品及产品配件（如淋浴杆、软管、花洒、落水、把手、装饰盖、提拉杆、混水器等）由于材质及工艺原因而造成的故障或损坏。免费保修期内，我们将无偿为您提供修理服务及更换发生故障的产品或产品配件。摩恩的售后服务责任仅限于对故障产品的修理，而不延及您因产品故障而发生的其他损失，法律另有规定的除外。

您需了解：产品外观碰伤、刻划痕迹，以及滥用及不正当保养所导致的故障或损坏，均不属于免费保修范围。即使在免费保修期内，属下列（1）-（5）情况之一的，需酌情收取修理费用：

1. 不能出示相符的保修卡和有效购买凭证情况的，
2. 未按使用说明告知的使用方法和注意事项造成的故障，
3. 自行拆卸、维修、改装所造成的故障和损坏，
4. 由于不可抗力等外部原因引起的故障和损坏，
5. 由于运输、搬卸、挤压等造成的损坏。

对于保修期外或不在保修范围内的产品，如需维修，摩恩将酌情收取上门费、人工费及材料费。

本保修条款仅对原始消费者和酒店行业的购买者有效，并不适用于本产品工业、商业、贸易和非酒店行业的使用。如对本保修条款内容有任何疑问，请拨打400 630 8866 咨询热线，或向当地分销商咨询。

## MOEN LIMITED WARRANTY

We offer limited warranty and lifetime maintenance for Moen products, which are all manufactured with high standards of workmanship.

The period of warranty shall start from the date of purchase of the product (according to the invoice or receipt issued by Moen distributors) and shall cover a period of the following: the warranty period for cartridge is 5 years, the warranty period for solenoid valve sensor is 2 years, the warranty period of other accessories such as shower bar, hose, shower, drain assembly, handle, cover, lift rod, aerator etc. is 1 year.

This warranty is your coverage against material and workmanship malfunction or defects in Moen products or components (such as shower bar, hose, shower, drain assembly, handle, cover, lift rod, aerator etc.). During the warranty period, we offer free maintenance and changing of malfunctioned products or product components. Moen's after sales service liability is limited to the maintenance of faulty items and does not cover your other losses caused by product malfunction, except for otherwise stipulated by law.

Cosmetic damages (scratches, dents, etc.) and malfunction or defects caused by abuse or improper maintenance is not covered by this warranty. Although the warranty period remains valid, in case of the following conditions (1) - (5), the maintenance cost (material cost and labor cost) shall still be charged as the case may be:

1. Corresponding warranty card and valid invoice cannot be presented;
2. Faults were caused by the incompliance with the instructions and precautions provided in the user's manual;
3. Damages and faults were caused by self-actuated dismantling, repair and refit;
4. Faults and damages were caused by external factors such as force majeure;
5. Damages were caused by transportation, unloading and extrusion, etc.

This warranty is valid for the original consumers only (including hotel use), and excludes industrial and commercial use of the product (except for hotel use). This card is only responsible for product maintenance rather than any other liabilities.

In the event that the product requires maintenance but exceeds the warranty period, or that the product is not covered by this warranty, labor cost and material cost shall be charged as the case may be.

Please call 400-630-8866 or contact local dealer for any question.

# MOEN® 摩恩

## 合格证 Compliance Certification

产品名称 恒温浴缸花洒龙头  
Product Name Thermostatic Tub Shower Faucet

检验员  
Inspector

生产日期  
Date of Production

摩恩（上海）厨卫有限公司  
中国（上海）自由贸易试验区富特北路399号  
邮编：200131

MOEN (SHANG HAI) KITCHEN & BATH PRODUCTS CO., LTD  
No. 399 Fute North RD, China (Shanghai) Pilot Free Trade Zone,  
Shanghai 200131 P.R. China