

DESCRIPTION

- Metal construction with a Chrome / BN/ ORB
- G1/2 quick inlet connections
- Includes hand-held shower, wall bracket
- and 175cm long hose

OPERATION

- Lever style handle
- Pull-on / Push-off
- Temperature controlled through 110 degree arc of handle travel

FLOW

- Flowrate is 0.33L/s minimum under 0.3Mpa

CARTRIDGE

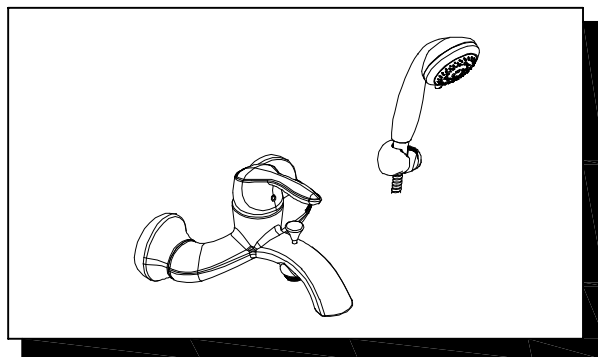
- Ceramic 35mm cartridge design
- Nonmetallic / nonferrous and ceramic material

STANDARD

- Designed to meet GB standard

WARRANTY

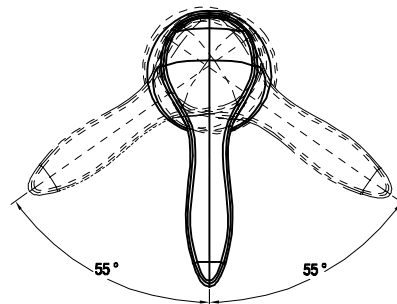
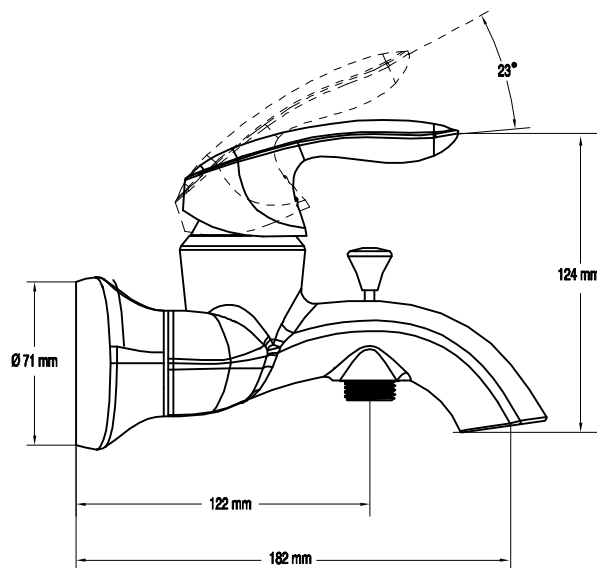
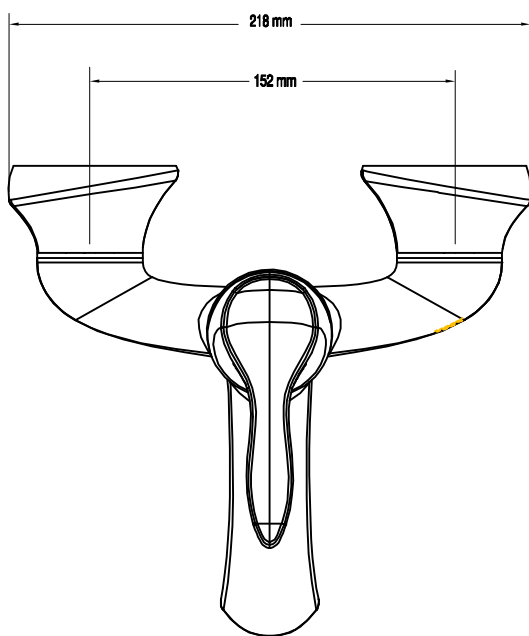
- 5 years limited warranty against leaks and drips



Eva

Single Handle Wall Mount Tub Shower

Models:64132; 64132BN; 64132ORB



CRITICAL DIMENSION

(DO NOT SCALE)