

# MOEN® 摩恩

## 淋浴杆

安装说明书

## Shower Bar

INSTALLATION INSTRUCTIONS

如需安装支持，配件丢失等，请联系MOEN。  
(中国) 400-630-8866  
www.moen.cn

PLEASE CONTACT MOEN FIRST  
For Installation Help, Missing or Replacement  
Parts  
(China) 400-630-8866  
www.moen.cn

### 推荐工具

为了安全和让安装和替换变得容易，Moen建议您使用以下工具：

### HELPFUL TOOLS

For safety and ease of replacement, Moen recommends the use of these helpful tools.



护目镜  
Safety Glasses



冲击钻  
Churn Drill



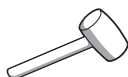
内六角扳手  
Hex Wrench



卷尺  
Tape Measure



十字螺丝刀  
Phillips Screwdriver



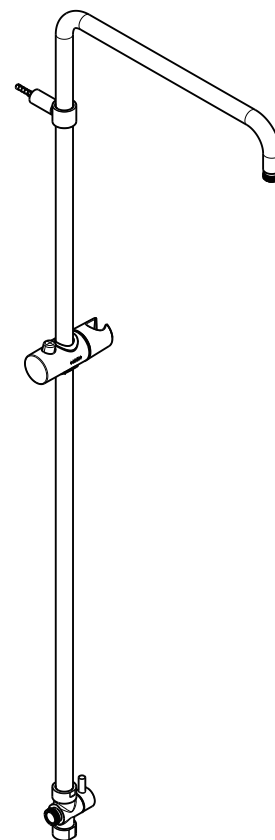
铁锤  
Hammer



活动扳手  
Adjustable Wrench



铅笔  
Pencil

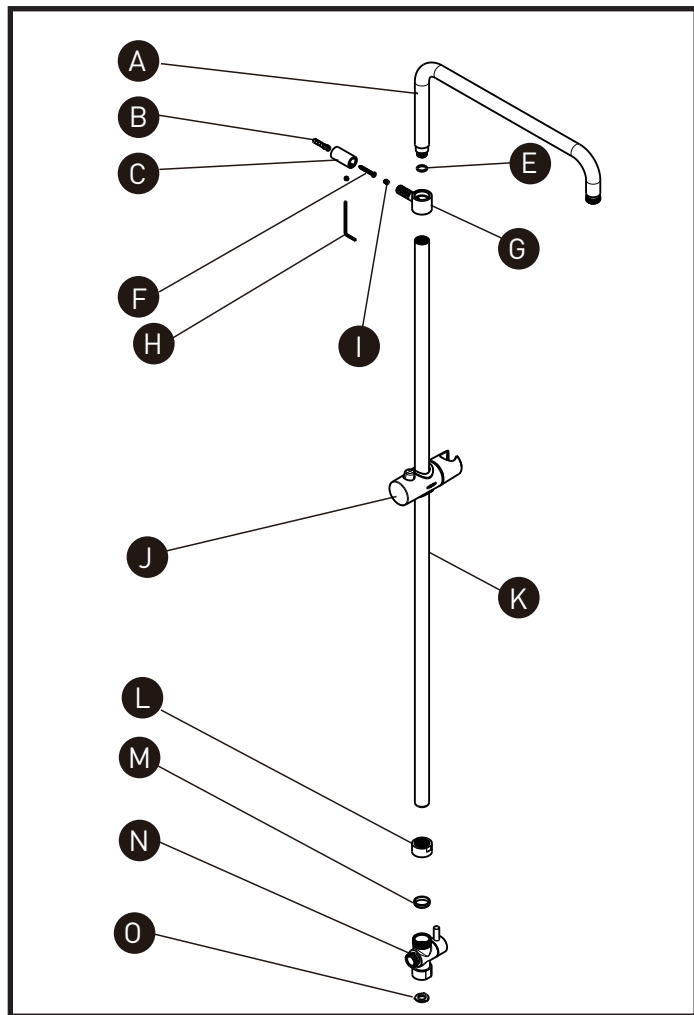


图片仅供参考  
(款式因型号而异)

Image is for reference only  
(Style varies by model)

记录购买的型号：  
(保存安装说明书以备将来参考)

Record Purchased Model Number:  
(Save instruction sheet for future reference)

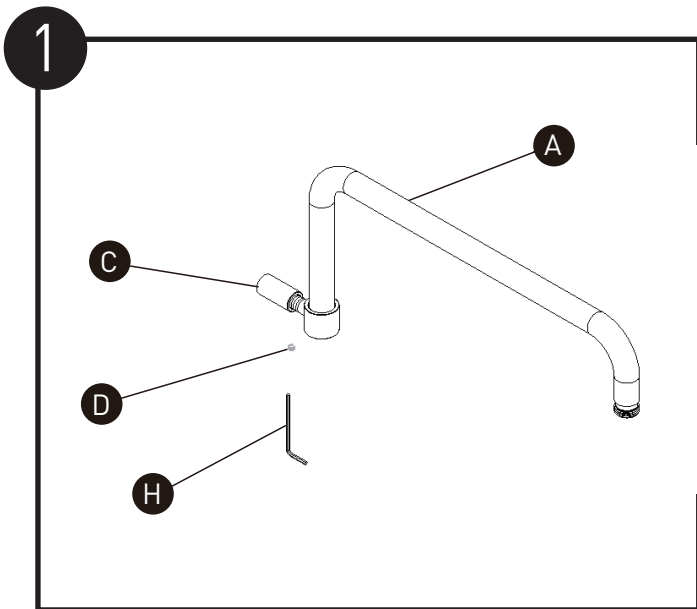


### 零件清单

- A. 上弯管组合
- B. 膨胀管
- C. 固定座
- D. 紧定螺钉
- E. o型圈
- F. 十字槽自攻螺钉
- G. 支撑座组件
- H. 内六角扳手
- I. 螺钉
- J. 滑座
- K. 下直管组件
- L. 锥形密封垫
- M. 锁母
- N. 二功能分水器
- O. 垫圈

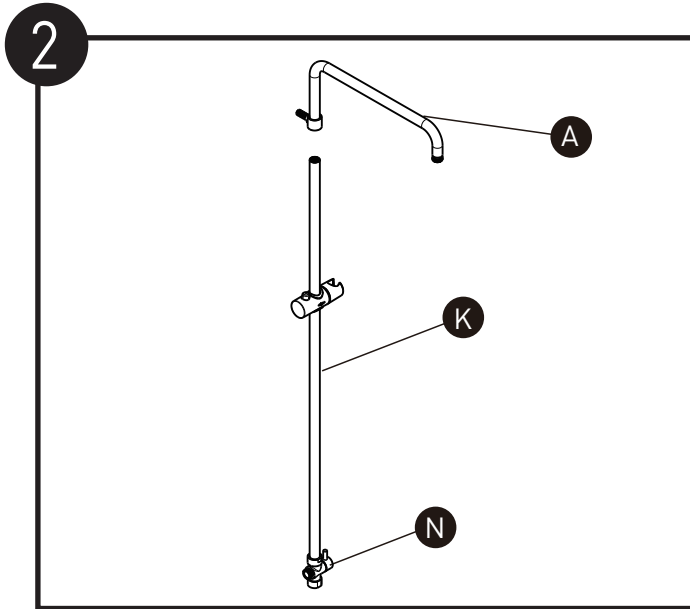
### Parts List

- A. Bended Tube
- B. Wall Plug
- C. Fixed Seat
- D. Screw
- E. O-ring
- F. Tapping Screw
- G. Supporting Tube
- H. Wrench
- I. Screw
- J. Slide
- K. Straight Tube
- L. Washer
- M. Nut
- N. 2F Diverter
- O. Washer



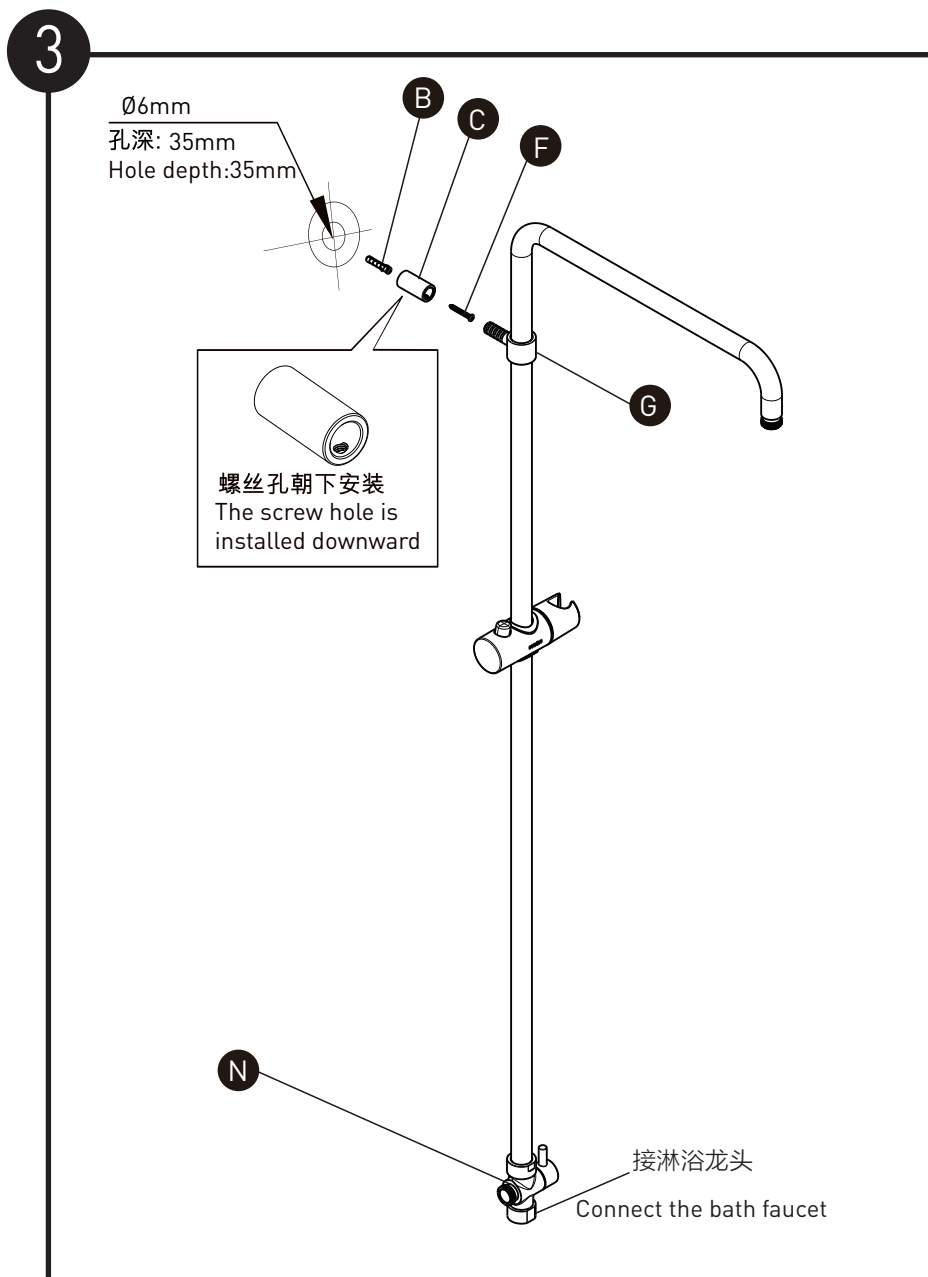
从上弯管组件 (A) 上用内六角扳手 (H) 松开紧定螺丝 (D)，取下固定座 (C)。

Loosen the set screw (D) from the shower arm (A) with a hexagon wrench (H), and remove the fixing seat (C).



下直管组件 (K) 无分水器 (N) 的一端与弯管组件 (A) 螺纹连接，用手拧紧，确保不漏水

The end of straight pipe component (K) without the water diverter valve (N) is screwed to the pipe thread component (A). Tighten by hand to ensure no water leakage.



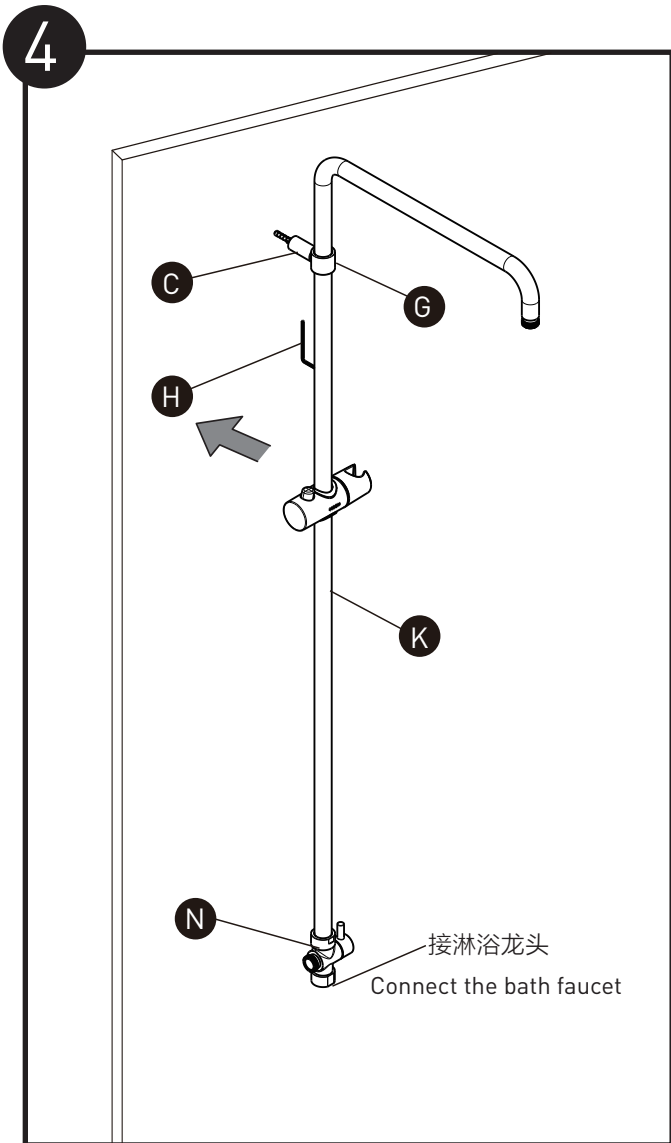
按以下步骤钻固定座安装孔

- a. 分水器 (N) 的对边螺母与淋浴龙头出水口G1/2螺纹相连接, 用手拧到位即可, 不必锁紧。
- b. 用笔画出支撑座组件 (G) 尾端中心的位置点。
- c. 取下淋浴杆, 用直径6mm的钻头在墙上钻一个深度35mm的孔。
- d. 打入膨胀管 (B), 用自攻螺钉 (F) 将固定座 (C) 平面贴墙锁紧在墙上。

Install the fixed seat:

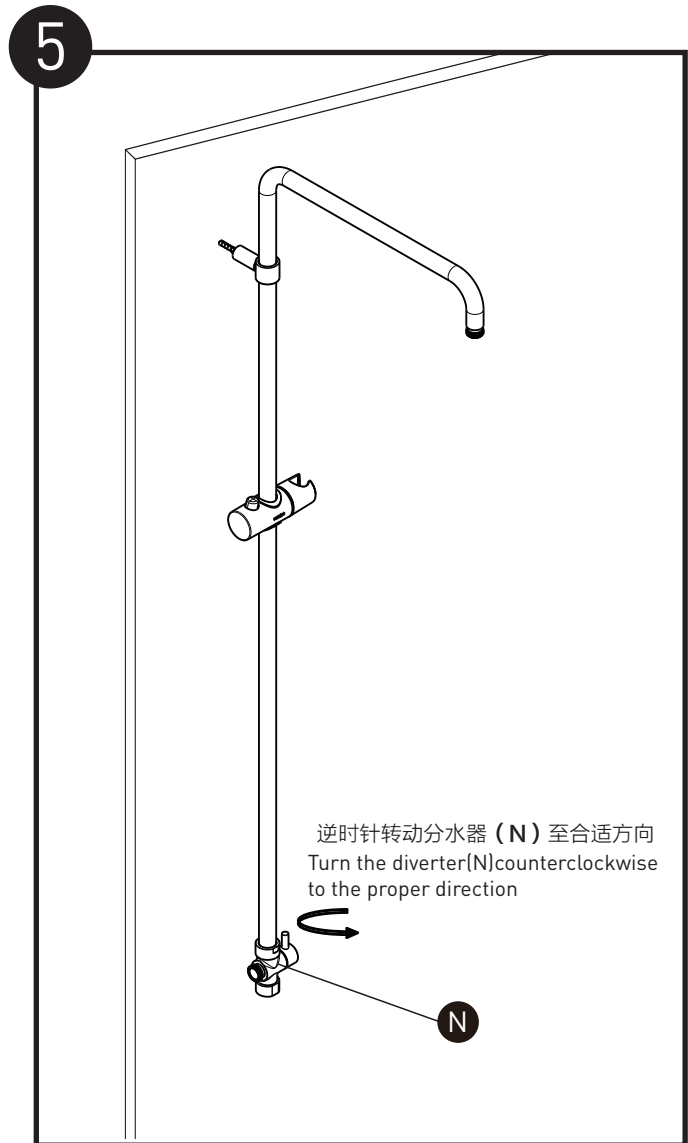
Connect the water diverter (N) nut with the G1/2 threaded bath faucet by hand. Do not tighten it.

Draw the position point at the center of the end of supporting seat (G) with a pen. Remove the shower rod. Use a  $\Phi 6\text{mm}$  drill to drill a 35mm deep hole in the wall. Put the rubber wall plug (B) into the hole. Fasten the mounting kit (C) to the wall with self-tapping screw (F).



分水器 (N) 的对边螺母与淋浴龙头出水口G1/2螺纹相连接，暂不锁紧，根据需要进行微调，使支撑座组件 (G) 尾部顺利套入固定座 (C)，直管 (K) 与墙面平行，直管的中心与离墙的距离在50~72mm，然后用内六角扳手 (H) 拧紧固定座下的紧定螺钉 (D)。

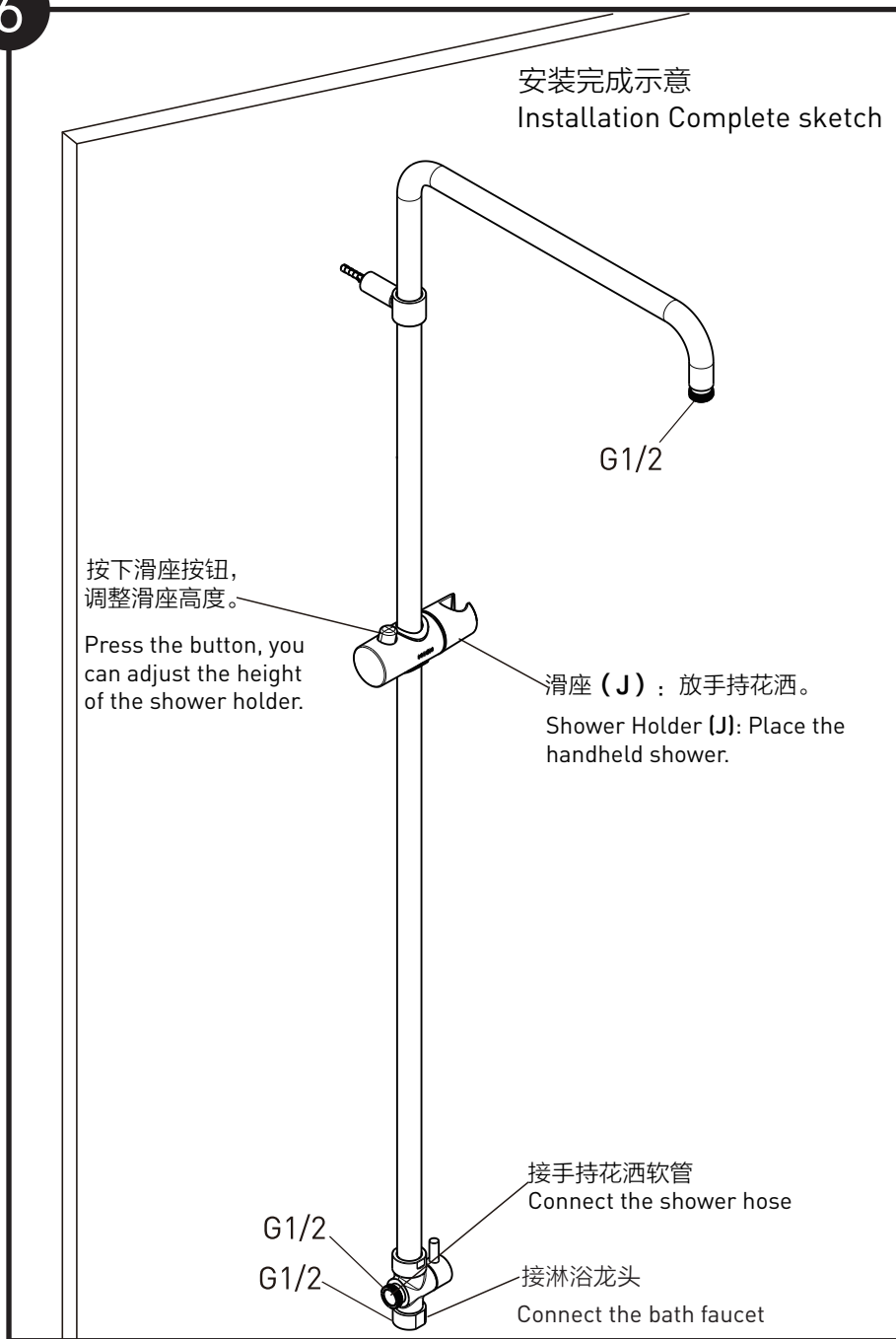
Connect the water diverter (N) nut with the G1/2 threaded bath faucet by hand. Do not tighten it and make adjustment as needed, so that the end of supporting tube (G) can be smoothly inserted into the mounting kit (C). Keep the straight tube (K) parallel to the wall. The distance between the center of the straight pipe and the wall is 50~72mm, and then use the handle (H) to tighten the set screw (D) under the mounting kit (C).



逆时针转动分水器 (N) 至合适方向，然后用活动扳手锁紧分水器与龙头连接的螺母，确保不漏水。

Turn the diverter (N) counterclockwise to the proper direction, then use an adjustable wrench to tighten the diverter nut to ensure it is watertight.

6



安装后请检查各连接处是否连接紧密，管道是否有泄漏，整体安装是否牢固。确定各部位良好后，可放水试用，检查连接处是否漏水。

警告:当您使用本产品进行淋浴时，请先开启冷水然后再开启热水，以免烫伤!

After installation, please check whether the connection is tight ,whether the pipeline is leaking and whether the overall installation is firm . After checking all parts, turn on the water first to check if the connection is leaking.

Note: When using shower bar, please turn on the cold water first and then the hot water to prevent burns.

## 产品售后保修条款

摩恩产品是在高质量标准及生产工艺下制造的，摩恩承诺为消费者购买的产品提供有期限免费保修及终身维修服务。

淋浴杆免费保修期为1年，均自消费者购买日（以摩恩产品分销商开具的发票或收据上载明日期为准）起计。

免费保修范围为产品及产品配件，由于材质及工艺原因造成的故障或损坏。免费保修期内，我们将无偿为您提供修理服务及更换发生故障的产品或产品配件。摩恩的售后服务责任仅限于对故障产品的修理，而不延及您因产品故障而发生的其他损失，法律另有规定的除外。

您需了解：产品外观碰伤、刻划痕迹，以及滥用及不正当保养所导致的故障或损坏，均不属于免费保修范围。即使在免费保修期内，属下列（1）-（5）情况之一的，需酌情收取修理费用：

1. 不能出示相符的保修卡和有效购买凭证情况的，
2. 未按使用说明告知的使用方法和注意事项造成的故障，
3. 自行拆卸、维修、改装所造成的故障和损坏，
4. 由于不可抗力等外部原因引起的故障和损坏，
5. 由于运输、搬卸、挤压等造成的损坏。

对于保修期外或不在保修范围内的产品，如需维修，摩恩将酌情收取上门费、人工费及材料费。

本保修条款仅对原始消费者和酒店行业的购买者有效，并不适用于本产品工业、商业、贸易和非酒店行业的使用。

如对本保修条款内容有任何疑问，请拨打400 630 8866 咨询热线，或向当地分销商咨询。

## MOEN LIMITED WARRANTY

We offer limited warranty and lifetime maintenance for Moen products, which are all manufactured with high standards of workmanship.

The period of warranty shall start from the date of purchase of the product (according to the invoice or receipt issued by Moen distributors) and shall cover a period of the following: the warranty period for shower bar is 1 year.

This warranty is your coverage against material and workmanship malfunction or defects in Moen products or components. During the warranty period, we offer free maintenance and changing of malfunctioned products or product components. Moen's after sales service liability is limited to the maintenance of faulty items and does not cover your other losses caused by product malfunction, except for otherwise stipulated by law.

Cosmetic damages (scratches, dents, etc.) and malfunction or defects caused by abuse or improper maintenance is not covered by this warranty. Although the warranty period remains valid, in case of the following conditions (1) - (5), the maintenance cost (material cost and labor cost) shall still be charged as the case may be:

1. Corresponding warranty card and valid invoice cannot be presented;
2. Faults were caused by the incompliance with the instructions and precautions provided in the user's manual;
3. Damages and faults were caused by self-actuated dismantling, repair and refit;
4. Faults and damages were caused by external factors such as force majeure;
5. Damages were caused by transportation, unloading and extrusion, etc.

This warranty is valid for the original consumers only (including hotel use), and excludes industrial and commercial use of the product (except for hotel use). This card is only responsible for product maintenance rather than any other liabilities.

In the event that the product requires maintenance but exceeds the warranty period, or that the product is not covered by this warranty, labor cost and material cost shall be charged as the case may be.

Please call 400-630-8866 or contact local dealer for any question.

<b>MOEN® 摩恩</b>	
合格证 Compliance Certification	
产品名称 Product Name	淋浴杆 Shower Bar
检验员 Inspector	_____
生产日期 Date of Production	_____
富俊汇赢科技（上海）有限公司 中国（上海）自由贸易试验区新杨公路 1800弄1号4幢207室 邮编：201413	
Fortune Brands Innovations (Shanghai) Co., Ltd Room 207, Building 4, No. 1, Lane 1800, Xinyang Highway, China (Shanghai) Pilot Free Trade Zone	