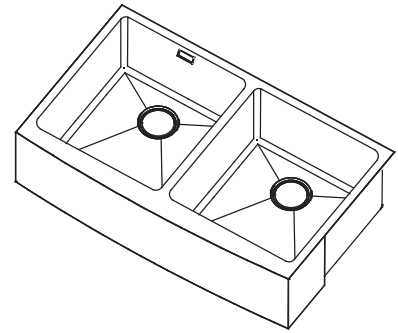


DESCRIPTION

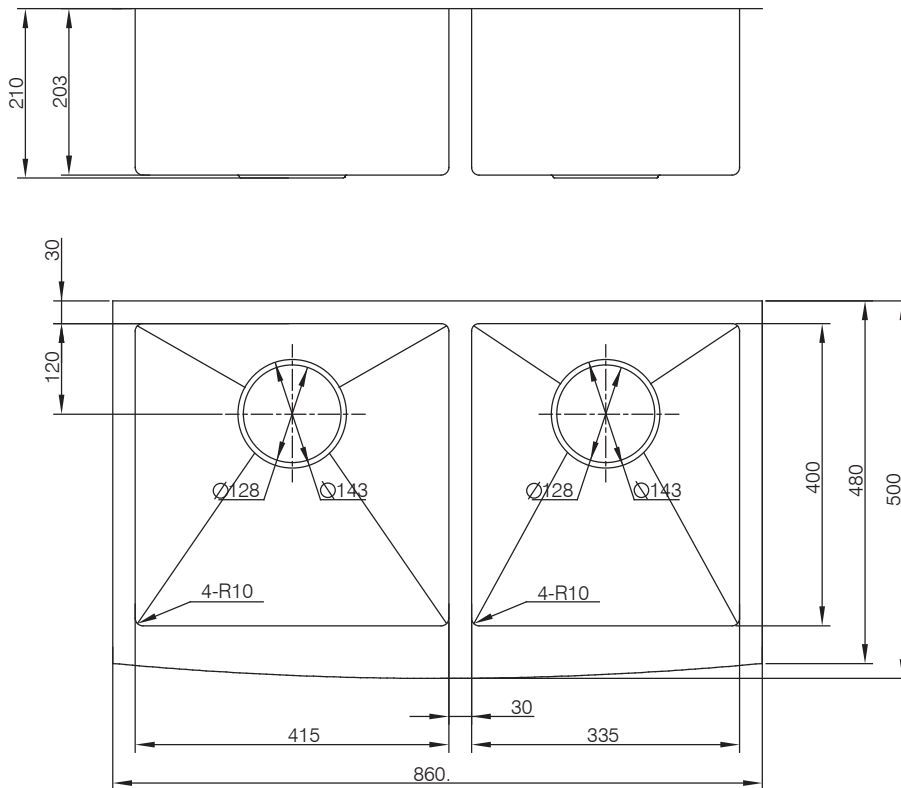
- Farm house series apron front dual bowl sink
- SS.304 construction with brush finish
- Thickness , frame panel :1.32 , bowl:1.03mm
- Hand-made sink
- SB042 50mm Drainage pipe ,G2 connection
- SB46 Drainer with basket, G2 connection
- Under mounting, mounting hardware included
- SoundsShield system
- Comply with QB/T 4013-2010
- 5 years limited warranty against leaks and drips
- 1 year limited warranty for sink accessories

Match with 27154SL Bowl in bowl and 56884 Rinse basket



Farm house
Apron front stainless steel dual bowl sink
Models: 28202SL

Units : mm



CRITICAL DIMENSION

(DO NOT SCALE)