

DESCRIPTION

- Chrome finish
- G1/2 connections
- Thermostatic valve design and with 3F hand shower,

OPERATION

- Knob style handle
- Temperature handle operates through a 237° arc with maximum cold at full clockwise rotation and maximum hot at full counterclockwise rotation
- Safety stop preset temperature at 38°C
- Factory established temperature range from 20° C to 49° C

FLOW

- Flowrate at 0.1Mpa is:
 about 9.6L in tap spout
 about 4.6L with handheld shower
 about 8.7L with shower bar

CARTRIDGE

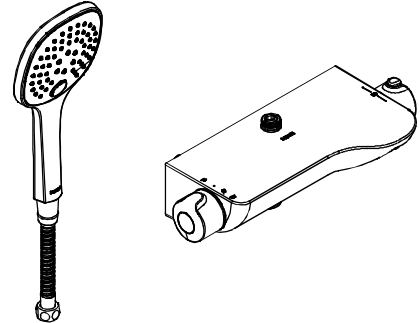
- Thermostatic cartridge design with Nonmetallic/no-ferrous material

STANDARD

- Designed to meet QB2806

WARRANTY

- 5 years limited warranty against leaks and drips



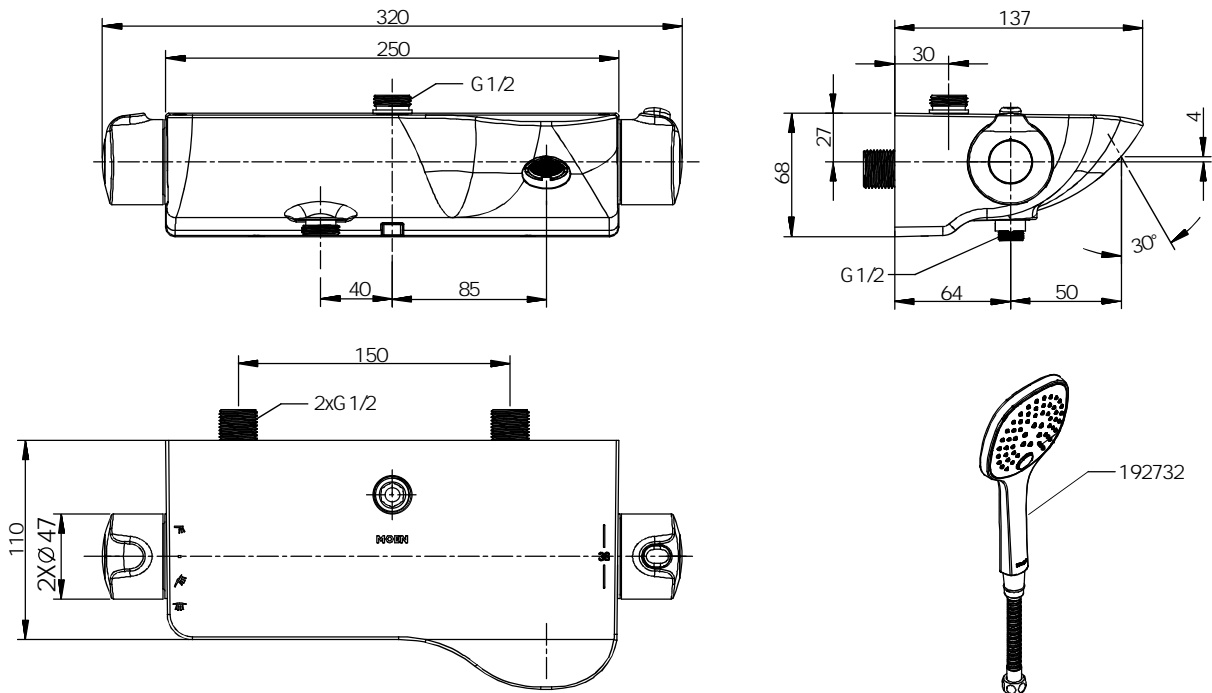
CARSON

THERMOSTATIC BATH FAUCET

Models: 91070EC

Match with MOEN 2239 SHOWER BAR

Units : mm



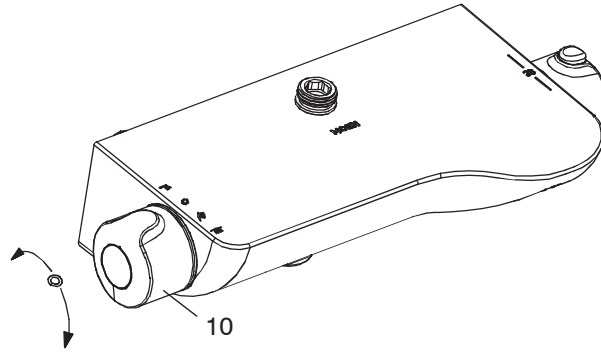
CRITICAL DIMENSION

(DO NOT SCALE)

Usage :

1. Usage of Diverter handle :

Shower faucet Diverter handle can be rotated by 90° , with functions of Spout, Off,handheld shower,showerhead
Tub/Shower faucet Diverter handle can be rotated by 180° , every 90° have one function:
Spout, off, handheld shower,showerhead



Rotate control handle(10) in clockwise/anti-clockwise 90° to transfer functions (Spout/off/handheld shower/shower head)

2.Usage of controlling temperature of water by the handle with a button(12):

Factory established temperature range from 20° C to 49° C ;

Safety stop preset temperature at 38° C calibration;

1.1 Turn the handle (11) clockwise , water temperature will turn to 20°C from 38°C;

1.2 Press the button (12)down and turn the handle(11) anticlockwise, water temperature will up to 49°C

