

## DESCRIPTION

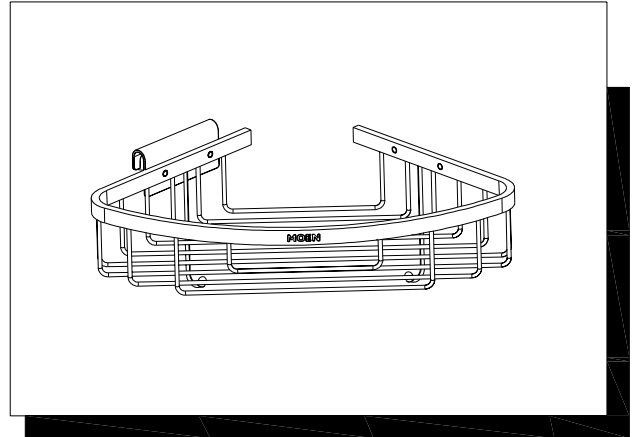
- Metal construction with polished and brushed finish
- Removable structure

## STANDARD

- Comply with GB1560-2006
- Polished and brushed finish pass AASS 24H grade 10.

## WARRANTY

- 5 years limited warranty except artificial damage and chemicals erosion



NOTE:ALL DIMENSIONS ARE MM.

**SINGLE ANGLE BASKET**  
Models:90105 / 90105SLP

