

浴室柜组合

欧诺系列

安装使用说明书

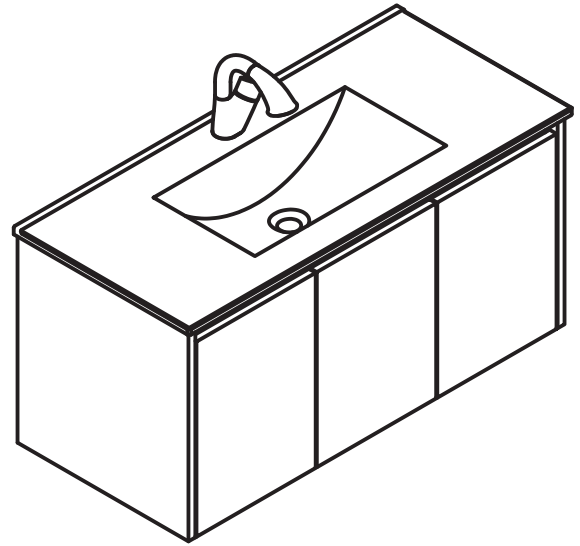
Bathroom Cabinet Set

SIENA Series

INSTALLATION INSTRUCTIONS

如需安装支持，配件丢失等，请联系MOEN。
(中国) 400-630-8866
www.moen.cn

PLEASE CONTACT MOEN FIRST
For Installation Help, Missing or Replacement
Parts
(China) 400-630-8866
www.moen.cn



图片仅供参考
(款式因型号而异)

Image is for reference only
(Style varies by model)

记录购买的型号：
(保存安装说明书以备将来参考)

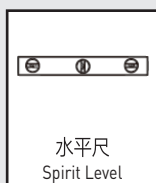
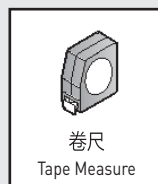
Record Purchased Model Number:
(Save instruction sheet for future reference)

推荐工具

为了安全和让安装和替换变得容易，Moen建议您使用以下工具：

HELPFUL TOOLS

For safety and ease of replacement, Moen recommends the use of these helpful tools.



安装前注意事项

- 请仔细阅读本说明书，以便熟悉所需工具、物料、安装过程。请按照适用的章节来安装本产品，以免安装失当导致不必要的损失。除了正确的安装方法之外，请详阅所有操作及安全指引。
- 本说明书所载的一切资料，均以印刷时所有之最新产品情况为基础，MOEN保留对产品进行修改、改进的权权利，技术参数如有更改，恕不另行通知。
- 安装MOEN产品之前，请先确认所有必须的电气工作均已完成。并确认遵循制造商相关电动工具的安全的指令。
- 强烈建议在柜体安装前拆下抽屉，门和活动层板，使安装过程安全，具体步骤参考后续指导。
- 关闭供水。
- 管道安装必须遵循当地所有给排水、建筑或者其他的特别规定。管道安装人员必须具备相应资格。
- 安装之前，仔细检查产品是否有损伤。
- MOEN产品性能卓越，经久耐用。为保证产品品质，请按照此说明书中推荐的方法进行安装，启用，操作和维护。

Precautions before Installation

- Please read this manual carefully to familiarize with the required tools, materials, and installation. Please install this product in accordance with the applicable chapters to avoid unnecessary losses. In addition to the installation method, please read all operation and safety guidelines.
- All information contained in this manual is based on all the latest product conditions at the time of printing. MOEN reserves the right to modify and improve the product. Technical parameters are subject to change without notice.
- Before installing products, please confirm that all necessary electrical work has been completed. And follow the manufacturer's safety instructions related to power tools.
- It is strongly recommended to remove the doors before installing the cabinet. Refer to the corresponding instructions for specific steps.
- Shut off the water supply.
- Piping installation must comply with all local water supply and drainage, construction or other special regulations. The pipe installer must have the appropriate qualifications.
- Before installation, check the product for damage
- MOEN products are excellent in performance and durable. In order to ensure product quality, please follow the methods recommended in this manual for installation, activation, operation and maintenance.

产品名称 Product Name	参考值 (L*W*H) Reference Value	组合柜示意图 Cabinet Set Diagram
810mm 浴室柜组合 Cabinet Set	<ul style="list-style-type: none"> • 组合柜 Cabinet Set: 810x465x505 • 盆 Basin: 810x465x180 • 柜体 Cabinet Body: 785x455x480 	

产品名称 Product Name	参考值 (L*W*H) Reference Value	组合柜示意图 Cabinet Set Diagram
1010mm 浴室柜组合 Cabinet Set	<ul style="list-style-type: none"> • 组合柜 Cabinet Set: 1010x465x505 • 盆 Basin: 1010x465x180 • 柜体 Cabinet Body: 985x455x480 	

注意：摩恩公司保留随时变更图中尺寸的权力，无需另行通知。

Note: MOEN reserves the right to change marked dimensions without prior notice.

浴室柜安装

一、准备墙面

- 根据脸盆的尺寸图信息安装进水管和排水管。水管接头必须至少超出墙面76mm。
- 确保完工墙面水平和垂直方向的平直，确保与墙面垂直的地面水平。

注意：安装之前，请确认在墙面需要固定挂柜的位置，是否为实心混泥土砖或者有不适宜固定挂柜的情况；在墙体使用空心砖的情况下，请确认处理后的墙体可以解决挂重问题，使膨胀螺栓能够牢固地固定在基层墙体上。

二、安装柜体

安装之前，请确保所有活动部件，抽屉等均已从柜体移除。请参考本说明书中“门铰链安装、调节指导说明”。

⚠️ 小心！在墙壁上钻孔请务必避开内设的缆线和管道。

注意：不同的装饰墙面需要不同型号的膨胀螺丝，请使用合适型号的膨胀螺丝和钻孔钻头。摩恩只提供标配的膨胀螺丝，其他型号的膨胀螺丝需另外购买。

Install Bathroom Cabinet

Prepare Wall

- Install the water inlet pipe and drain pipe per the basin dimension. The water pipe connection must extend at least 76 mm beyond the wall.
- Make sure that the finished wall is level horizontally and vertically, and the ground perpendicular to the wall is level.

Note: Before installation, determine the position of the wall to which cabinet is to be fixed; check whether the wall is solid concrete brick or is not suitable for fixing the cabinet; If the wall is with hollow bricks, reform it to make it suitable for fixing cabinet and the expansion bolts can be firmly fixed on the base wall.

Install Cabinet

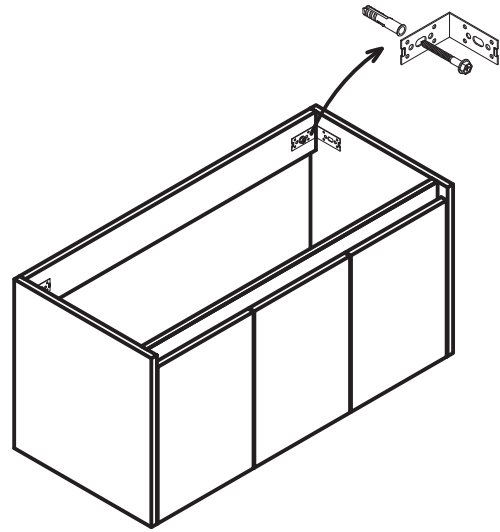
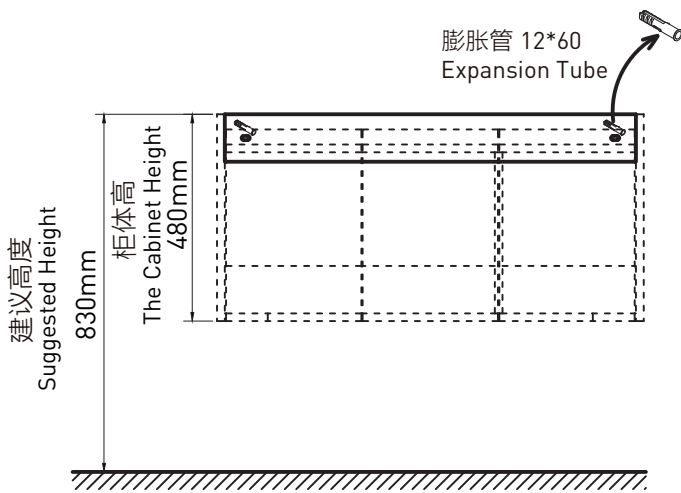
Before installation, make sure that all moving parts, drawers, etc. are removed from the cabinet. Please refer to the "Installation and Adjustment of Door Hinges" in this document.

⚠️ Careful! When drilling holes in the wall, be sure to avoid the internal cables and pipes.

Note: Different decorative walls need different types of expansion screws. Please use the appropriate type of expansion screw and drilling bit. Moen only provides standard expansion screws. Other types of expansion screws need to be purchased separately.

1. 钻好挂墙式膨胀螺丝的安装孔，使用水平仪检查，确保安装孔水平。
2. 将膨胀管敲入墙上的安装孔。
3. 将膨胀螺丝穿过柜体插入墙上的安装孔，拧紧膨胀螺丝，确保将浴室柜牢固固定在墙体上。

1. Make the installation hole for the wall mounted expansion screw, and ensure the installation hole is level with level meter.
2. Tap the expansion tube into the mounting hole in the wall.
3. Insert the expansion screw through the cabinet into the mounting hole in the wall, and tighten the expansion screw to ensure that the bathroom cabinet is firmly fixed to the wall.



三、安装陶瓷一体盆

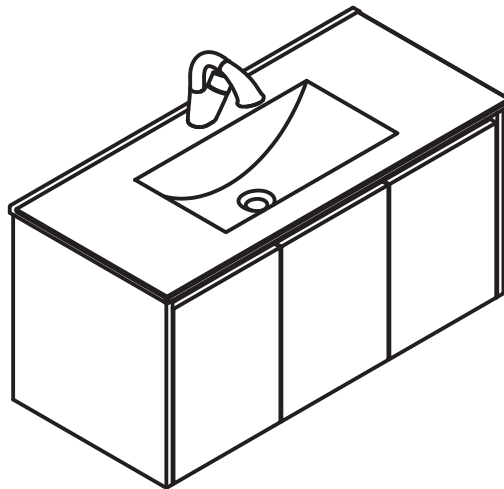
将盆放到柜体上，在墙和盆的接缝处打上玻璃胶。

注意：如果可能，将脸盆安装至柜体前请先将龙头安装至脸盆。

Install Ceramic Integrated Basin

Put the basin on the cabinet and apply mildew-proof neutral glass cement on the joint between basin and wall.

Note: If possible, install the faucet before installing the basin.



五、完成浴室柜安装

1. 调整铰链螺丝使门板平整。
2. 将拉手安装到门板上。如果拉手预装在柜门背面，需要拆下，并安装到正面。
3. 根据说明书，将龙头安装上脸盆或者台面。
4. 连接冷热供水管。
5. 安装落水，并上紧。
6. 打开冷、热水阀门，检查供水管接头处是否有渗漏。

Finish Installation of Bathroom Cabinet

1. Adjust the hinge screws to make the door flat.
2. Lock the expansion screw connecting the expansion pipe on the connection hole of the rear upper rail of the cabinet as shown in the figure, and do not tighten it.
3. Install the faucet on the washbasin or countertop.
4. Connect the hot and cold water supply pipes.
5. Install the falling water and tighten it.
6. Open the cold and hot water valves and check for leaks at the water supply pipe joints.

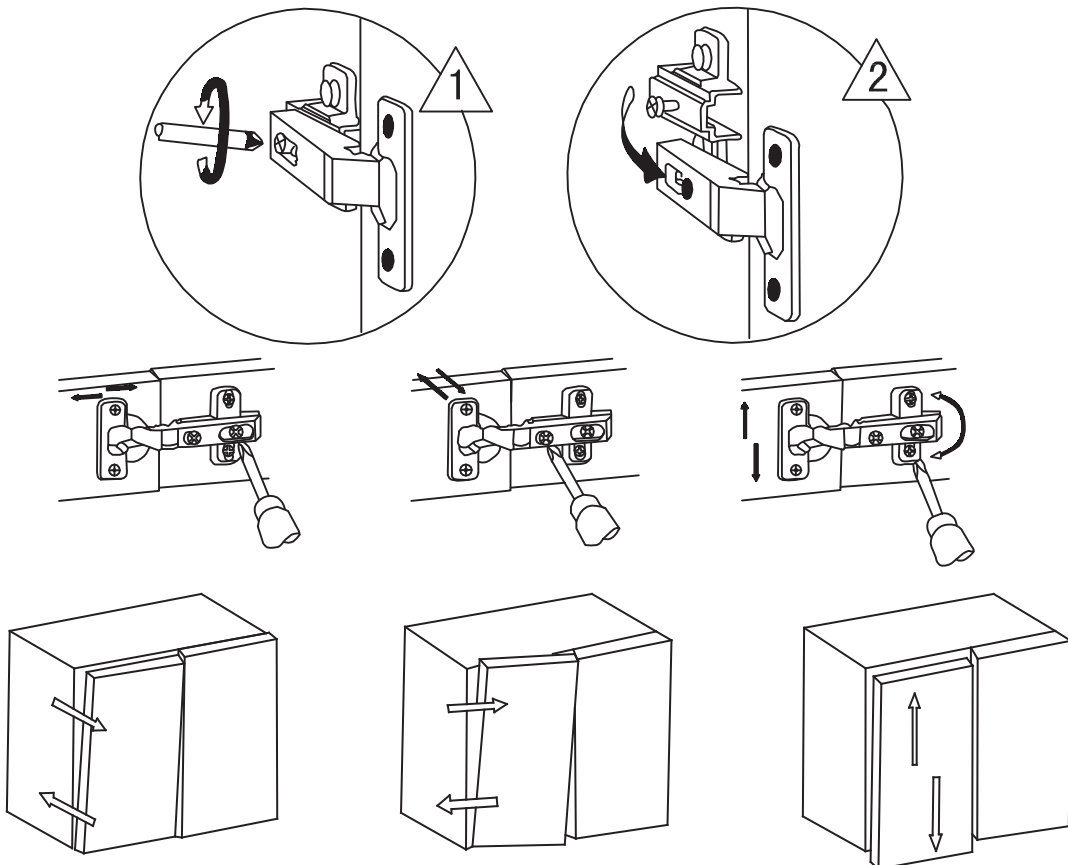
门铰链的拆卸、安装和调节

摩恩浴室柜使用了快装铰链，使用卡紧装置安装门铰链，拆卸过程相反。

按照下图所示三向调节所有的门板铰链，使门板水平整齐。门板与门板间隙均匀，门板与柜体之间严丝合缝。

Remove, Install and Adjust Hinge

MOEN Mirror cabinet uses quick mounting hinge, and uses clamping device to install door hinge. The disassembly process is opposite. Adjust all door hinges in three directions as shown in the figure below to make the door panels level and neat. The gap between the door panel and the door panel is even, and the door panel and the cabinet body are tightly connected.



浴室柜的保养

一、浴室适用环境要求

- **干湿分离的卫生间：**淋浴间和其它区域相分隔，淋浴的水不会四处飞溅，是配置浴室柜的最佳环境。
 - **非干湿分区的卫生间：**浴室柜较易被溅水或受潮，其柜体基材可能会发霉膨胀，从而影响使用寿命。
- 日常使用注意事项：** a. 保持卫生间的空气流通及地面的干燥。 b. 不允许水溅落到浴室柜柜体上。如果不小心沾上水，要及时用干抹布擦干，保持柜体干爽洁净。

二、日常清洁与保养

- 切勿让儿童爬上浴室柜或承受重压，以防发生危险或造成损坏。
- 使用时不允许水溅落到柜体上。若有水，请及时用干布擦干（包括洗浴后的冷凝水）。
- 用软布定期清洁、擦拭。
- 大理石台面如有划伤，可涂上牙膏，用布擦拭打磨。龙头、拉手等五金配件，一段时间后会水渍，可用温和的清洁剂或皂液进行清洁。
- 照明灯等电器连接要确保绝缘、防潮；镜面最好用鹿皮经常擦拭，可以保障使用质量经久如一。
- 卫生间请保持良好的通风状态。有条件的可以干、湿分离，尽量保持浴室空气畅通，养成开窗开门的习惯。

Bathroom Cabinet Maintenance

Bathroom Cabinet Applicable Environmental Requirements

- **Toilet with Separate Dry and Wet:** The shower room is separated from other areas. It is the best environment for configuring bathroom cabinet.
- **Toilets in Non-dry and Wet Zones:** The bathroom cabinet is likely to be splashed or damp, and the base material of the cabinet body may become moldy and swell, which will affect the service life.
- **Daily usage considerations:** a. Keep the air circulation in the toilet and dry the floor. b. Do not allow water to splash on the cabinet body. If you accidentally get water, wipe it with a dry cloth in time to keep the cabinet dry and clean.

Cleaning and Maintenance

- Do not allow children to climb on the bathroom cabinet or bear heavy pressure to prevent danger or damage.
- Do not allow water to splash down on the cabinet during use. If there is water, please dry it with a dry cloth in time (including the condensation after bathing).
- Clean and wipe regularly with a soft cloth.
- If the marble countertop is scratched, you can apply toothpaste and wipe it with a cloth. Hardware accessories such as faucets and handles will appear water stains after a period of time, you can clean them with mild detergent or soap.
- The electrical connection of lighting lamps and other electrical appliances should be insulated and moistureproof; the mirror surface is best to be wiped with deerskin frequently to ensure the consistent quality of use.
- Please keep the bathroom well ventilated, and separate dry and wet if possible, try to keep the bathroom air unobstructed, and windows and doors open.

产品售后保修条款

摩恩产品是在高质量标准及生产工艺下制造的，摩恩承诺为消费者购买的洁具产品提供有期限免费保修及终身维修服务。

浴室柜免费保修期为1年，均自消费者购买日（以摩恩产品分销商开具的发票或收据上载明日期为准）起计。

免费保修范围为产品及产品配件由于材质及工艺原因而造成的故障或损坏。免费保修期内，我们将无偿为您提供修理服务及更换发生故障的产品或产品配件。摩恩的售后服务责任仅限于对故障产品的修理，而不延及您因产品故障而发生的其他损失，法律另有规定的除外。

您需了解：产品外观碰伤、刻划痕迹，以及滥用及不正当保养所导致的故障或损坏，均不属于免费保修范围。即使在免费保修期内，属下列（1）-（5）情况之一的，需酌情收取修理费用：

1. 不能出示相符的保修卡和有效购买凭证情况的，
2. 未按使用说明告知的使用方法和注意事项造成的故障，
3. 自行拆卸、维修、改装所造成的故障和损坏，
4. 由于不可抗力等外部原因引起的故障和损坏，
5. 由于运输、搬卸、挤压等造成的损坏。

对于保修期外或不在保修范围内的产品，如需维修，摩恩将酌情收取上门费、人工费及材料费。

本保修条款仅对原始消费者和酒店行业的购买者有效，并不适用于本产品工业，商业，贸易和非酒店行业的使用。

如对本保修条款内容有任何疑问，请拨打400 630 8866咨询热线，或向当地分销商咨询。

MOEN LIMITED WARRANTY

We offer limited warranty and lifetime maintenance for Moen products, which are all manufactured with high standards of workmanship.

The period of warranty shall start from the date of purchase of the product (according to the invoice or receipt issued by Moen distributors) and shall cover a period of the following: the warranty period for bathroom cabinet is 1 year.

This warranty is your coverage against material and workmanship malfunction or defects in Moen products or components. During the warranty period, we offer free maintenance and changing of malfunctioned products or product components.

Moen's after sales service liability is limited to the maintenance of faulty items and does not cover your other losses caused by product malfunction, except for otherwise stipulated by law.

Cosmetic damages (scratches, dents, etc.) and malfunction or defects caused by abuse or improper maintenance is not covered by this warranty.

Although the warranty period remains valid, in case of the following conditions (1) - (5), the maintenance cost (material cost and labor cost) shall still be charged as the case may be:

1. Corresponding warranty card and valid invoice cannot be presented;
2. Faults were caused by the incompliance with the instructions and precautions provided in the user's manual;
3. Damages and faults were caused by self-actuated dismantling, repair and refit;
4. Faults and damages were caused by external factors such as force majeure;
5. Damages were caused by transportation, unloading and extrusion, etc.

This warranty is valid for the original consumers only (including hotel use), and excludes industrial and commercial use of the product (except for hotel use). This card is only responsible for product maintenance rather than any other liabilities.

In the event that the product requires maintenance but exceeds the warranty period, or that the product is not covered by this warranty, labor cost and material cost shall be charged as the case may be. Please call 400-630-8866 or contact local dealer for any question.

MOEN® 摩恩

合格证

Compliance Certification

浴室柜组合
Product Name Bathroom Cabinet Set

检验员
Inspector _____

生产日期
Date of Production _____

富俊汇赢科技（上海）有限公司
中国（上海）自由贸易试验区新杨公路
1800弄1号4幢207室
邮编：201413

Fortune Brands Innovations (Shanghai) Co., Ltd
Room 207, Building 4, No.1, Lane 1800, Xinyang Highway,
China (Shanghai) Pilot Free Trade Zone