

MOEN® 摩恩

橱柜调味品篮

如需安装支持, 配件丢失等, 请联系MOEN。
(中国) 400-630-8866
www.moen.cn

©2021 Moen Incorporated

注意事项

MOEN 摩恩 厨卫产品以精湛技术制造而成, 保证品质优良, 美观耐用。
清洁产品时须小心, 避免对产品表面造成损害。
请用清水或中性的清洁剂清洁产品表面, 然后用柔软的毛巾后抹干;



切勿使用含化学成分或腐蚀性的清洁剂、粗糙的布料摩擦。

建议定期清洗产品, 以保证其外观光洁明亮。
使用酸性清洁剂清洗附近物品时, 有可能损害产品表面, 请加倍小心。

重要提示

为了保证滑轨的顺畅使用和防止拉篮腐蚀, 请您在台面开孔并安装完台面的相关部件后再安装滑轨和拉篮, 以防木屑、粉末等杂质掉入滑轨、污损篮体。

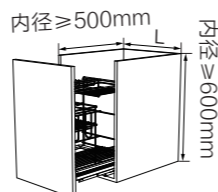
推荐工具

螺丝刀:  铅笔:  直尺: 

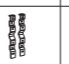


安装前注意事项

柜体宽度按产品要求, 适用深≥500mm、高≥600mm、侧板厚16~18mm柜体。

本说明适用于所有规格的摩恩橱柜调味品篮产品。产品以实物为准。

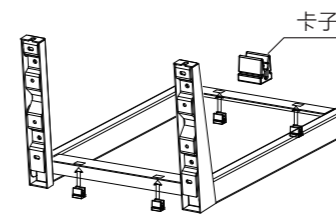
标准柜 (mm)	柜体内空尺寸 (mm)	
300	264~268	
350	314~318	
400	364~368	
450	414~418	

配件清单

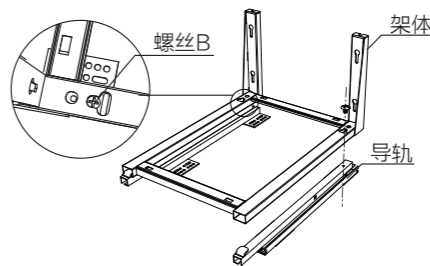
调味品篮	① 架体	② 导轨	③ 门板扣	④ 门板固定扣
				
1个	1个	1付	2个	1个
⑤ 螺丝A ST4x14	⑥ 螺丝B M4x6	⑦ 螺丝C M6x16	⑧ 螺丝D M5x6	⑨ 螺丝E M6x25
				
20个	2个	4个	2个	2个
⑩ 卡子	⑪ 水盘	⑫ 调味品篮纸规		
				
4个	1个	1张		

安装步骤

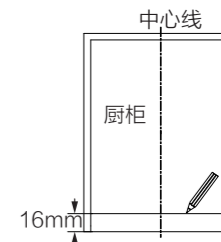
1. 将卡子 (⑩) 从下向上压入架体。



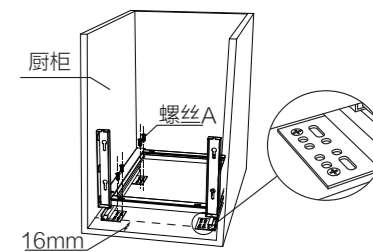
2. 用螺丝B (⑥) 将导轨和架体固定。



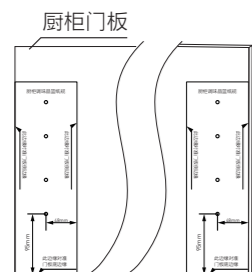
3. 在离柜体前边沿16mm画一直线。



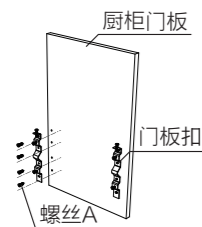
4. 将装好导轨的架体放进柜内并用直尺测量左右居中的位置, 且在导轨的第一个螺丝孔中心对在步骤3画的直线, 用螺丝A (⑤) 固定导轨和架体在柜内。(建议锁4个螺丝即可)



5. 将调味品篮纸规 (⑫) (按纸规印刷内容指示) 置于橱柜门板上, 用铅笔在调味品篮纸规孔内作标记。

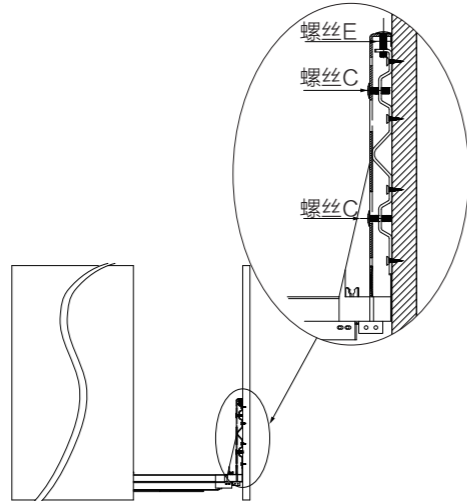


6. 用螺丝A (⑤) 把门板扣 (③) 固定在门板上。



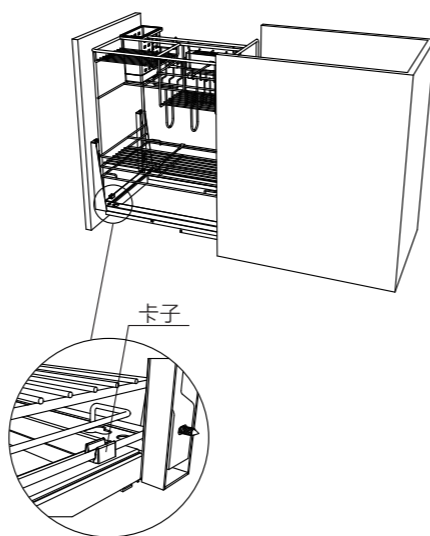
7. 用螺丝连接门板与架体, 并调试门板:

- 螺丝E (⑨): 用于调节门板的高低差距。
- 螺丝C (⑦): 用于调节门板的垂直平衡度。

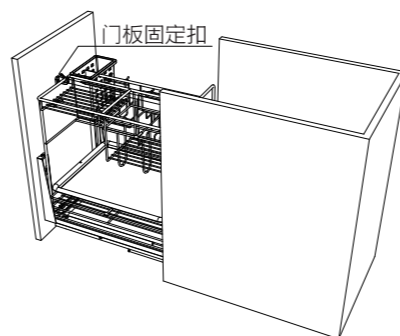


8. 调试完成后, 紧固所有螺丝。

9. 将调味品篮压入架体上对应的4个卡子 (⑩) 里。



10. 将门板固定扣 (④) 由下往上压入篮子上层柜体线上, 标示好2个孔的位置, 用螺丝A (⑤) 把门板扣固定。



11. 来回推拉产品, 确保产品安装正确。

产品售后保修条款

摩恩产品是在高质量标准及生产工艺下制造的, 摩恩承诺为消费者购买的洁具产品提供有期限免费保修及终身维修服务。
厨房配件免费保修期为1年, 均自消费者购买日 (以摩恩产品分销商开具的发票或收据上载明日期为准) 起计。

免费保修范围为产品及产品配件由于材质及工艺原因而造成的故障或损坏。免费保修期内, 我们将无偿为您提供维修服务及更换发生故障的产品或产品配件。摩恩的售后服务责任仅限于对故障产品的修理, 而不延及您因产品故障而发生的其他损失, 法律另有规定的除外。

您需了解: 产品外观碰伤、刻划痕迹, 以及滥用及不正当保养所导致的故障或损坏, 均不属于免费保修范围。即使在免费保修期内, 属下列 (1) - (5) 情况之一的, 需酌情收取修理费用:

1. 不能出示相符的保修卡和有效购买凭证情况的,
2. 未按使用说明书告知的使用方法和注意事项造成的故障,
3. 自行拆卸、维修、改装所造成的故障和损坏,
4. 由于不可抗力等外部原因引起的故障和损坏,
5. 由于运输、搬运、挤压等造成的损坏。

对于保修期外或不在保修范围内的产品, 如需维修, 摩恩将酌情收取上门费、人工费及材料费。

本保修条款仅对原始消费者和酒店行业的购买者有效, 并不适用于本产品工业, 商业, 贸易和非酒店行业的使用。

如对本保修条款内容有任何疑问, 请拨打400 630 8866 咨询热线, 或向当地分销商咨询。

MOEN 摩恩

合格证
Compliance Certification

产品名称 调味品篮
Product Name Sauce Bottle Rack
检验员
Inspector
生产日期
Date of Production

摩恩 (上海) 厨卫有限公司
中国 (上海) 自由贸易试验区富特北路399号
邮编: 200131
MOEN (SHANGHAI) KITCHEN & BATH CO., LTD.
No. 399 Fute North Rd, China (Shanghai) Pilot Free Trade Zone,
Shanghai 200131 P.R. China

MOEN® 摩恩

Sauce Bottle Rack

PLEASE CONTACT MOEN FIRST
For Installation Help, Missing or Replacement Parts
(China) 400-630-8866
www.moen.cn

©2021 Moen Incorporated

CAUTIONS

MOEN 摩恩 Products are made with superb technology to ensure high quality, beautiful and durable.
Be careful when cleaning the product to avoid damage to the surface of the product. Please clean the surface of the product with water or neutral detergent, and then dry it with a soft towel;

Do not use chemical or corrosive cleaners or rough cloths.

It is recommended to clean the product regularly to ensure its appearance is bright and clean. When using acidic cleaners to clean nearby items, it may damage the surface of the product. Please be extra careful.

Important Hint

In order to ensure the smooth use of slider and prevent corrosion of the cabinet basket, please make a cutout on the countertop and install the relevant parts before installing the slider and cabinet basket to prevent impurities such as wood chips and powder from falling into the slider and damaging the basket.

Helpful Tools

Screwdriver: Pencil: Ruler:

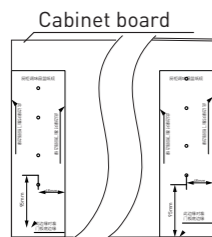
Precautions before Installation

The width of the cabinet depends on product requirements, and it is applicable to such cabinets: depth ≥ 500 mm, height ≥ 600 mm, and side plate thickness 16-18mm.

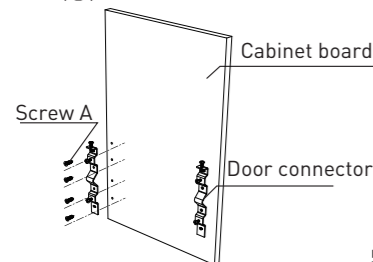
This instruction applies to all Moen kitchen cabinet sauce bottle rack products. The product is subject to the actual product.

Standard cabinet (mm)	Inner size of cabinet (mm)	
300	264~268	Inside dimension ≥ 500 mm Inside dimension ≥ 600 mm
350	314~318	
400	364~368	
450	414~418	

5. Place the sauce bottle rack template (12) (according to the instructions printed on the template) on the cabinet board, and mark into hole of the sauce bottle rack template with a pencil.



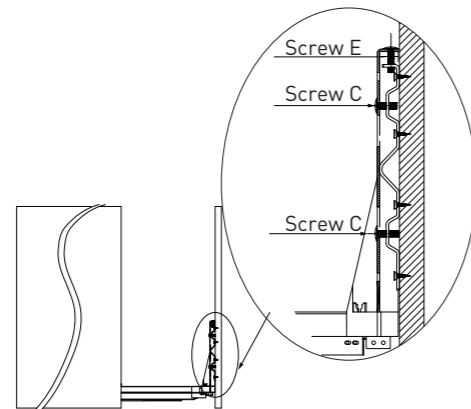
6. Fix the door connector (3) on the door board with screw A (5).



5

7. Connect the door board and the frame with screws, and adjust it as required.

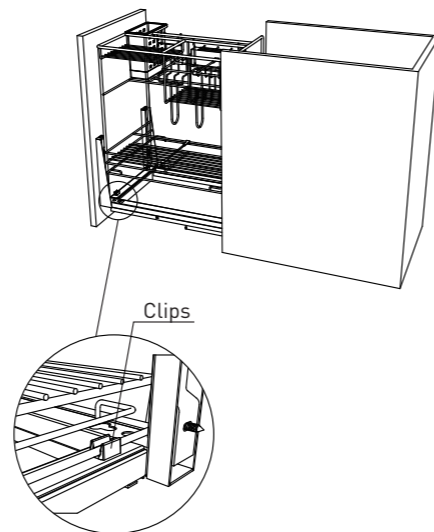
- Screw E (9): used to adjust the height difference of the door board.
- Screw C (7): used to adjust the vertical balance of the door board.



8. Tighten all screws.

6

9. Press the sauce bottle rack into the corresponding 4 clips (10) on the frame.



7

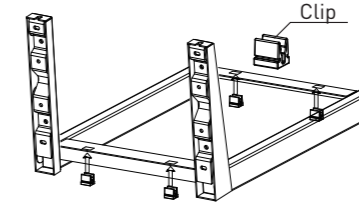
Accessory List

Kitchen sauce bottle	① Frame	② Slider	③ Door connector	④ Door fixing connector
1 Pc	1 Pc	1 Set	2 Pcs	1 Pc
⑤ Screw A ST4x14	⑥ Screw B M4x6	⑦ Screw C M6x16	⑧ Screw D M5x6	⑨ Screw E M6x25
20 Pcs	2 Pcs	4 Pcs	2 Pcs	2 Pcs
⑩ Clip	⑪ Drip tray	⑫ Sauce bottle rack template		
4 Pcs	1 Pc	1 Pc		

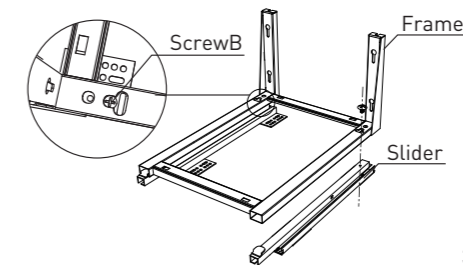
2

Installation Step

1. Press the clip (10) into the frame from bottom to top.

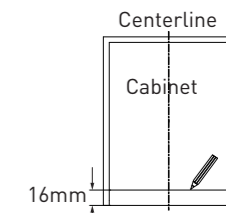


2. Fix the slider and the frame with screws B (6).

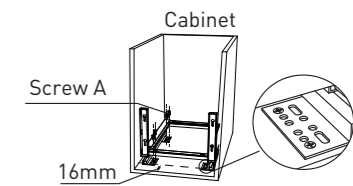


3

3. Draw a straight line 16mm away from the front edge of the cabinet.



4. Put the frame with the slider into the cabinet and use a ruler to measure the center positions from left and right positions, and align the center of the first screw hole of the slider with the line drawn in step 3, and fix the slider and the frame in the cabinet with screw A (5). (It is recommended to lock 4 screws.)



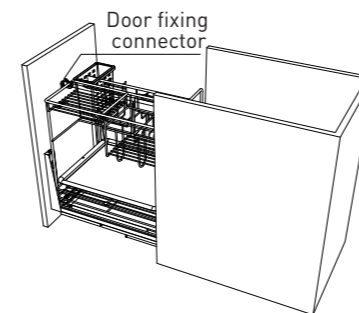
4

5

6

7

10. Press the door fixing connector (4) from bottom to top into the upper thick line of the basket, mark the position of the two holes, and fix the door connector with screw A (5).



11. Push and pull the product back and forth to ensure that the product is installed correctly.

8

MOEN LIMITED WARRANTY

We offer limited warranty and lifetime maintenance for Moen products, which are all manufactured with high standards of workmanship.

The period of warranty shall start from the date of purchase of the product (according to the invoice or receipt issued by Moen distributors) and shall cover a period of the following: the warranty period for kitchen accessory is 1 year.

This warranty is your coverage against material and workmanship malfunction or defects in Moen products or components. During the warranty period, we offer free maintenance and changing of malfunctioned products or product components. Moen's after sales service liability is limited to the maintenance of faulty items and does not cover your other losses caused by product malfunction, except for other wise stipulated by law.

Cosmetic damages (scratches, dents, etc.) and malfunction or defects caused by abuse or improper maintenance is not covered by this warranty. Although the warranty period remains valid, in case of the following conditions (1) - (5), the maintenance cost (material cost and labor cost) shall still be charged as the case may be:

1. Corresponding warranty card and valid invoice cannot be presented;
2. Faults were caused by the incompliance with the instructions and precautions provided in the user's manual;

3. Damages and faults were caused by self-actuated dismantling, repair and refit;
4. Faults and damages were caused by external factors such as force majeure;
5. Damages were caused by transportation, unloading and extrusion, etc.

This warranty is valid for the original consumers only (including hotel use), and excludes industrial and commercial use of the product (except for hotel use). This card is only responsible for product maintenance rather than any other liabilities.

In the event that the product requires maintenance but exceeds the warranty period, or that the product is not covered by this warranty, labor cost and material cost shall be charged as the case may be.

Please call 400-630-8866 or contact local dealer for any question.

MOEN 摩恩

合格证
Compliance Certification

产品名称 调味架
Product Name Sauce Bottle Rack

检验员
Inspector

生产日期
Date of Production

摩恩(上海)厨卫有限公司
中国(上海)自由贸易试验区富特北路399号
邮编: 200131

MOEN (SHANGHAI) HAIR/KITCHEN/BATH CO., LTD.
No. 399 Fute North Rd, China (Shanghai) Pilot Free Trade Zone,
Shanghai 200131 P.R. China