

MOEN® 摩恩

Specifications

DESCRIPTION

- Material : Acrylic
- Applicable place : Family & Hotel
- Applicable water temperature : 0℃ to 80℃
- Design for a single person, can carry a weight of 300kg
- It is forbidden to sit without being filled with water

WATER DEPTH

- To Overflow Hole Bottom : 395mm

CAPACITY

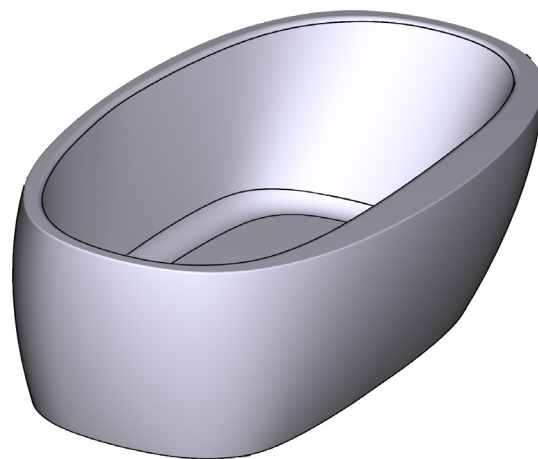
- To Overflow Hole Bottom : 265L

AREA

- Basin Area : 1150mm * 530mm
- Top Area : 1640mm * 680mm

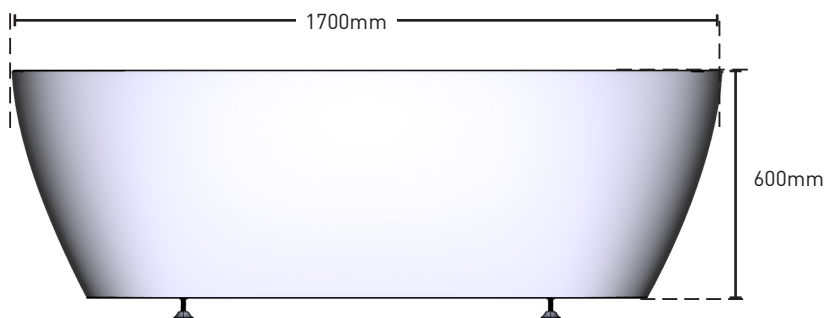
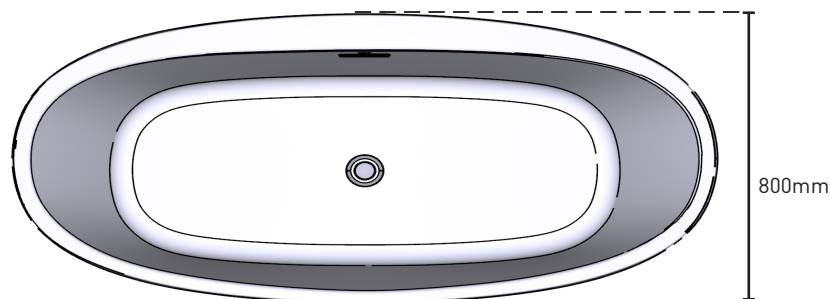
STANDARDS

- Designed to meet JC/T779



Free Standing Bathtub

MODEL: SWT181D



CRITICAL DIMENSIONS DO NOT SCALE