

DESCRIPTION

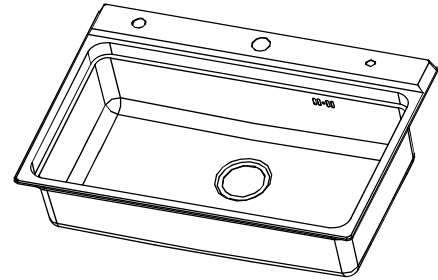
- Blade series single bowl drop-in sink
- SS.304 construction with Satine finish, thickness : 1.0mm
- One-stamping sink , Laser MOEN logo
- SB033 50mm Drainage pipe , "┘" type draining trap, G2 connection
- SB20 Drainer with basket, G2 connection
- Top mounting, mounting hardware included
- SoundsShield system

STANDARD

- Comply with QB/T 4013-2010

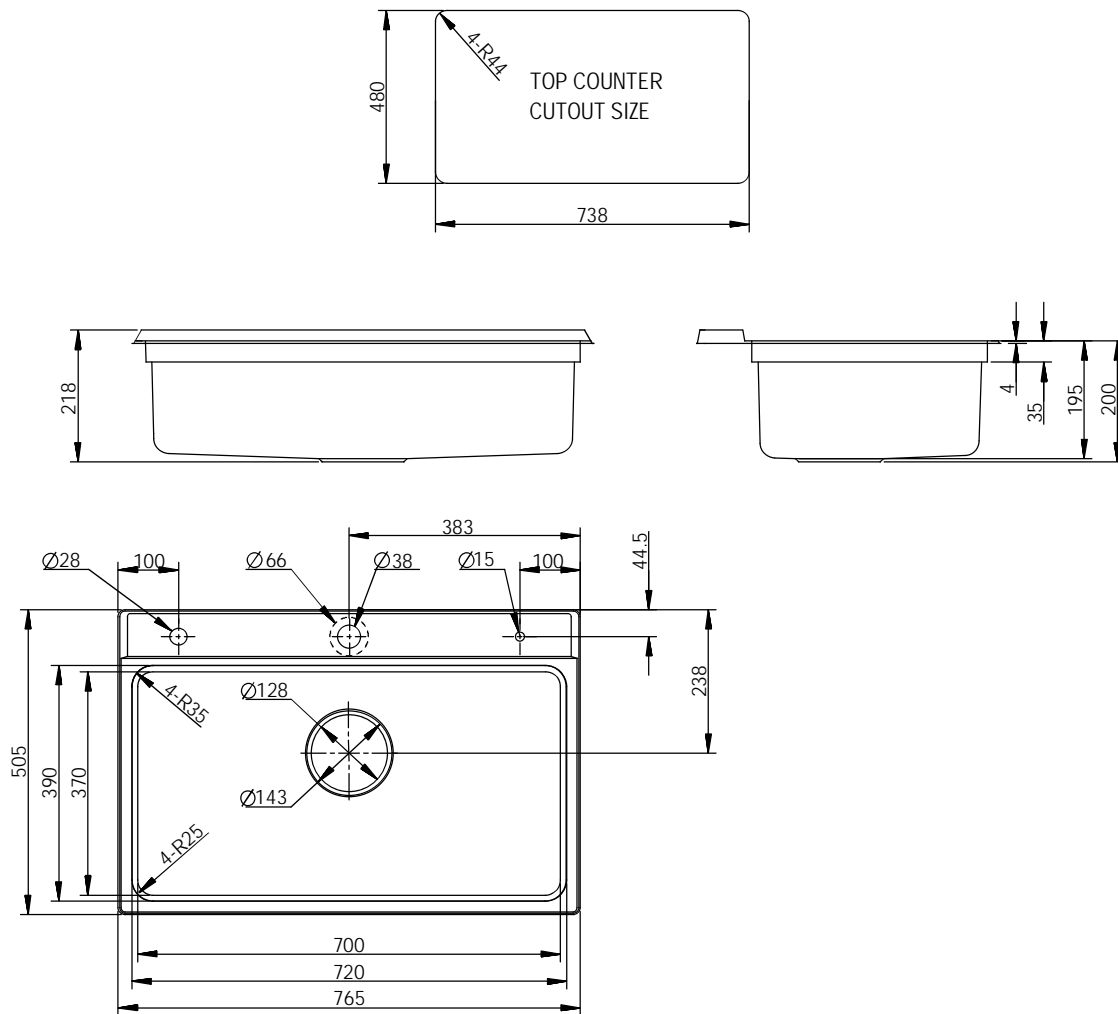
WARRANTY

- 5 years limited warranty against leaks and drips
- 1 year limited warranty for sink accessories



Blade
Stainless steel single bowl sink
Models: 28703

Units : mm



CRITICAL DIMENSION

(DO NOT SCALE)