

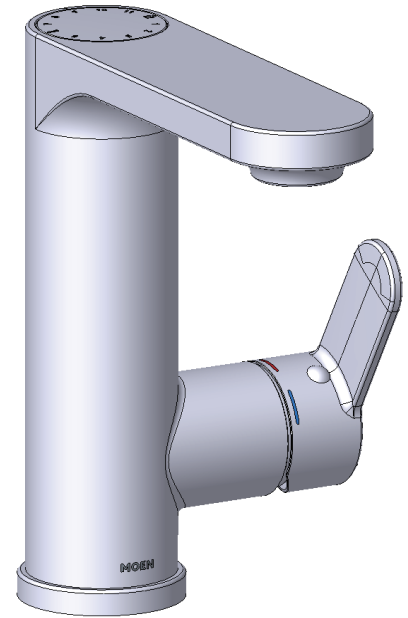
MOEN® 摩恩

过滤式面盆龙头

安装说明书

Filtration Lavatory Faucet

INSTALLATION INSTRUCTIONS



图片仅供参考
(款式因型号而异)

Image is for reference only
(Style varies by model)

记录购买的型号：
(保存安装说明书以备将来参考)

Record Purchased Model Number:
(Save instruction sheet for future reference)

如需安装支持，配件丢失等，请联系MOEN。
(中国) 400-630-8866
www.moen.cn

PLEASE CONTACT MOEN FIRST
For Installation Help, Missing or Replacement
Parts
(China) 400-630-8866
www.moen.cn

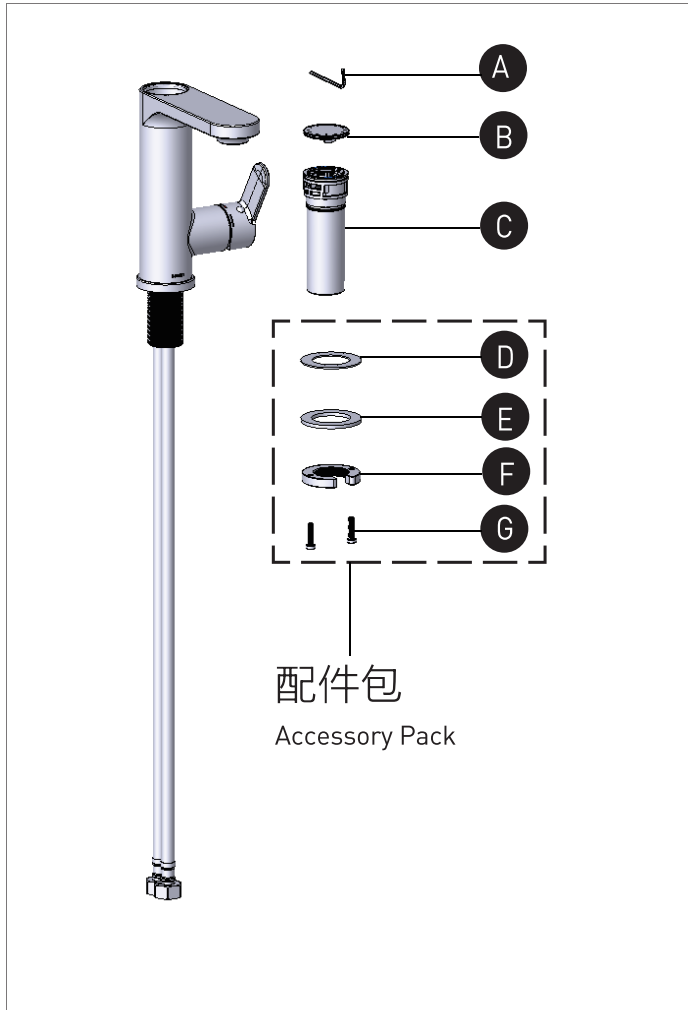
推荐工具

为了安全和让安装和替换变得容易，Moen建议您使用以下工具：

HELPFUL TOOLS

For safety and ease of replacement, Moen recommends the use of these helpful tools.





零件清单

- A. 六角扳手
- B. 装饰盖
- C. 滤芯
- D. 垫片
- E. 铁垫片
- F. 安装螺母
- G. 安装螺钉

Parts List

- A. Hex Wrench
- B. Cover
- C. Filter
- D. Washer
- E. Steel Washer
- F. Mounting Nut
- G. Mounting Screw



移除旧龙头注意事项:

拆除现有水龙头或拆卸阀门之前, 请务必先关闭供水。打开水龙头手柄以释放水压, 确保完全关闭水源。

CAUTION — TIPS FOR REMOVAL OF OLD FAUCET:

Always turn water supply OFF before removing existing faucet or disassembling the valve. Open faucet handle to relieve water pressure and ensure that complete water shut-off has been accomplished.

图标图例 Icon Legend



警告
Warning

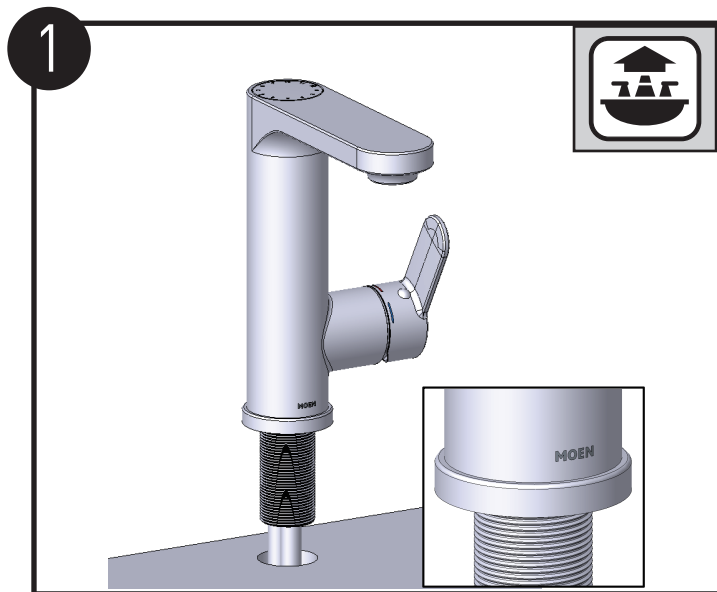


水槽上方
Above sink



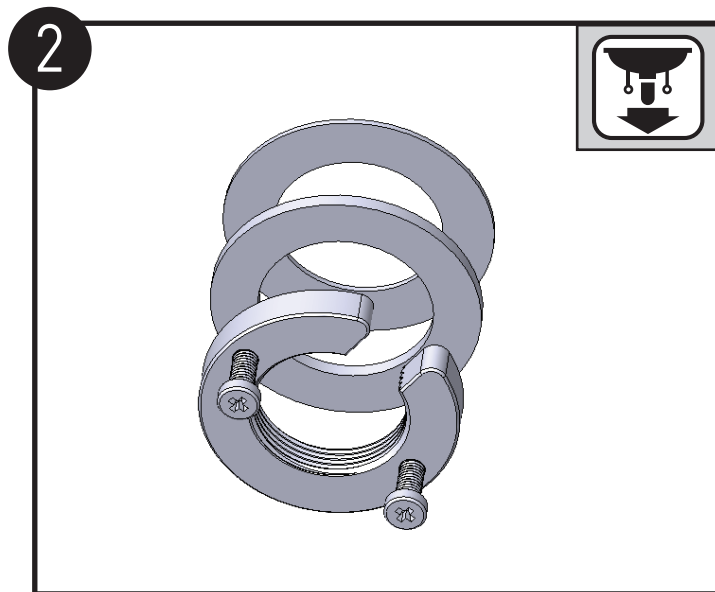
水槽下方
Below sink

安装步骤 Installation Steps



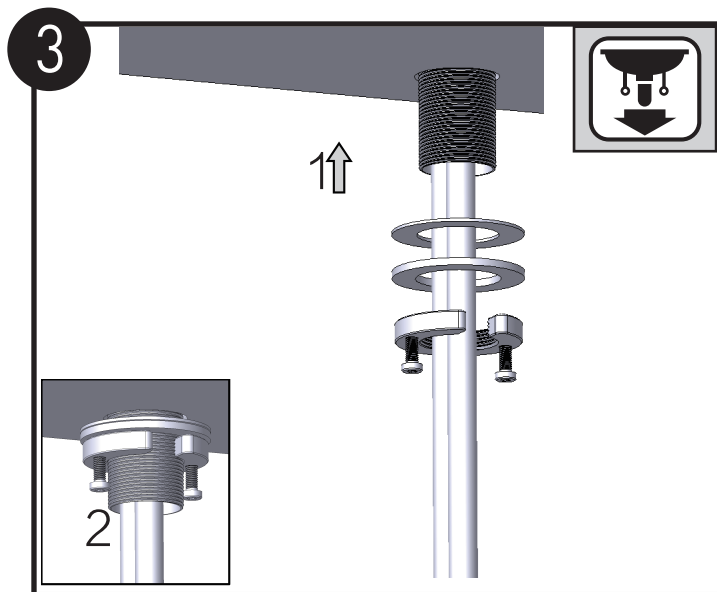
安装龙头本体（MOEN标识正对用户）。

Install Faucet Body, (Moen Logo face customer).



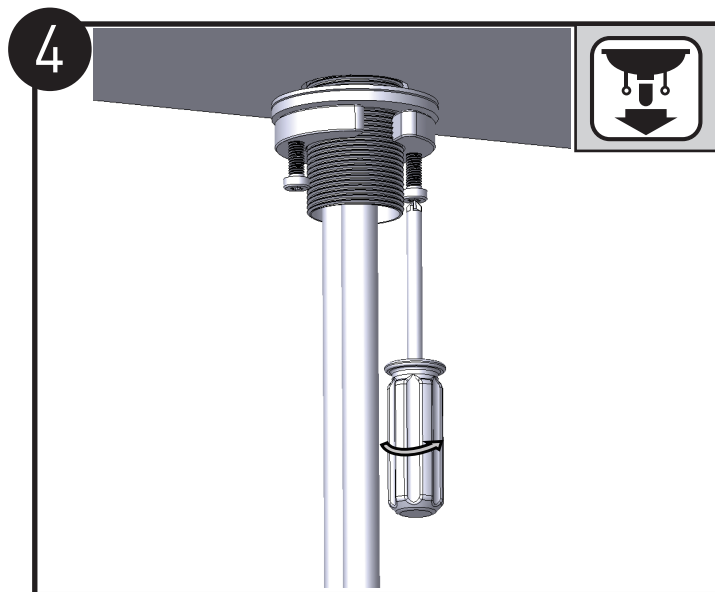
取出配件包中的配件待用。

Take the Mounting Hardware from bag for further use.



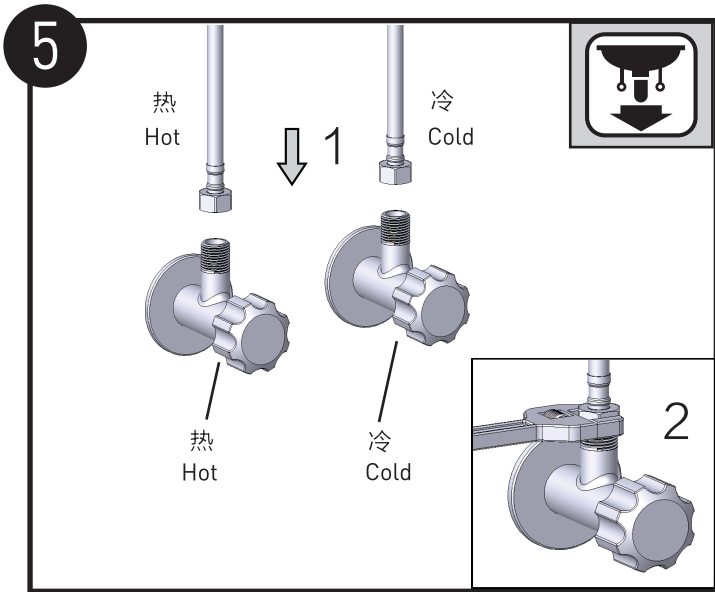
安装垫片及螺母，确保安装螺母距离底面小于12毫米。

Install Washer and Mounting Nut, ensure that the height of Mounting Nut towards surface is less than 12 mm.



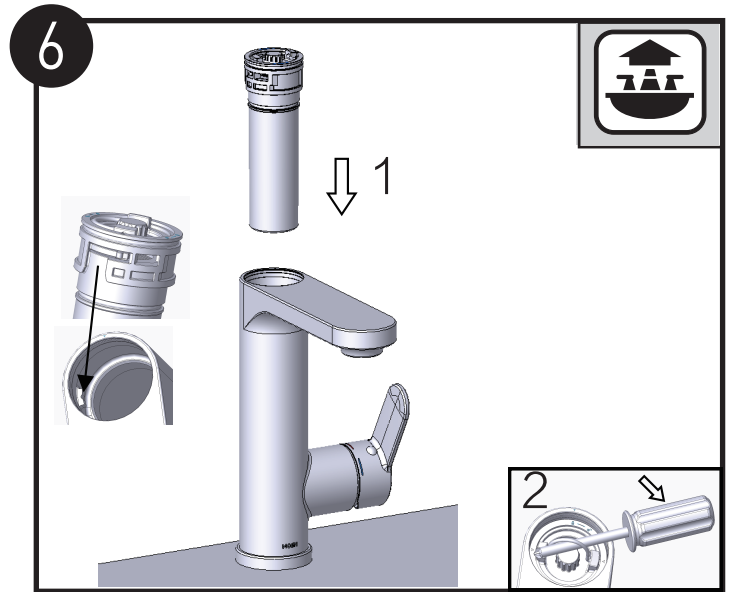
均匀地锁紧安装螺钉直至龙头本体完全固定。

Tighten Mounting Screws evenly until Faucet Body is fixed.



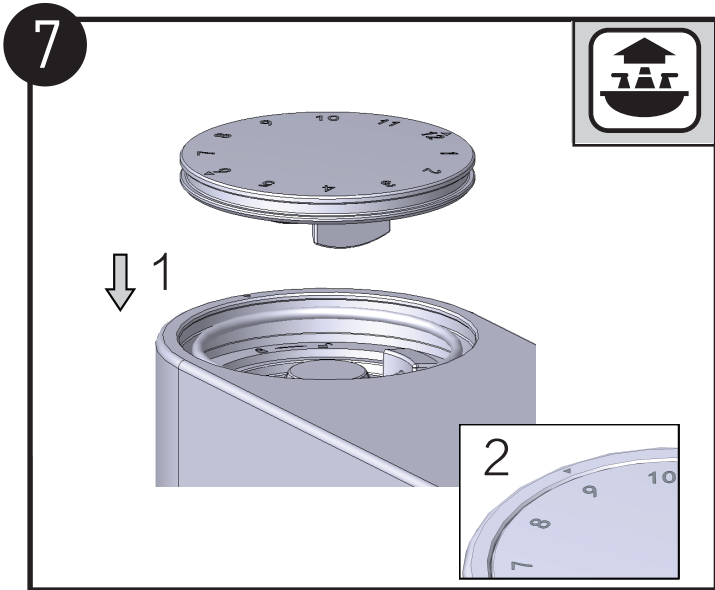
将龙头冷热水管分别连接到冷热进水口。

Connect the hot/cold supply hoses to the corresponding supplies.



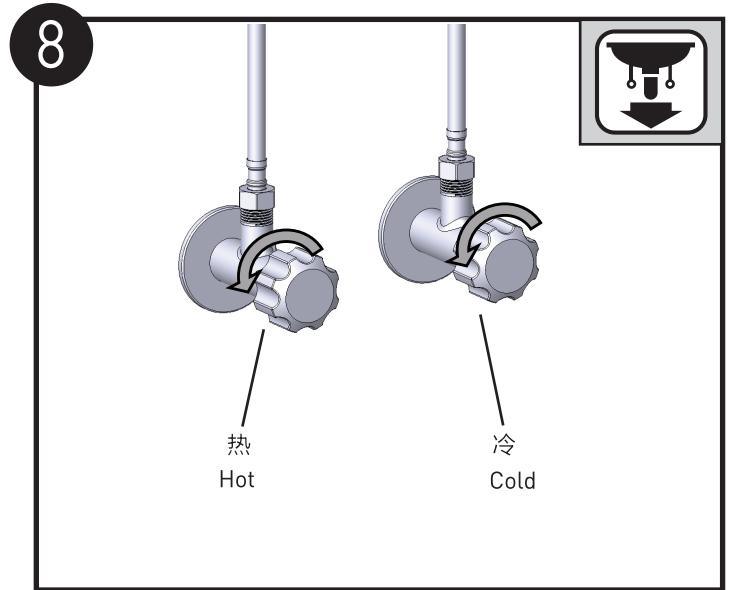
滤芯缺口对准本体凸台，滤芯插入本体后用螺丝刀或者其他工具穿过提环助力旋转至三角标对准关锁图标。

The filter gap aligns with the convex part of the body, insert the filter, and then uses a screwdriver or other tools to rotate through the lifting ring until the triangle mark is aligned with the lock icon.



安装装饰盖（当前月份数字正对三角标）。

Install cover, (The current month faces the triangle mark).

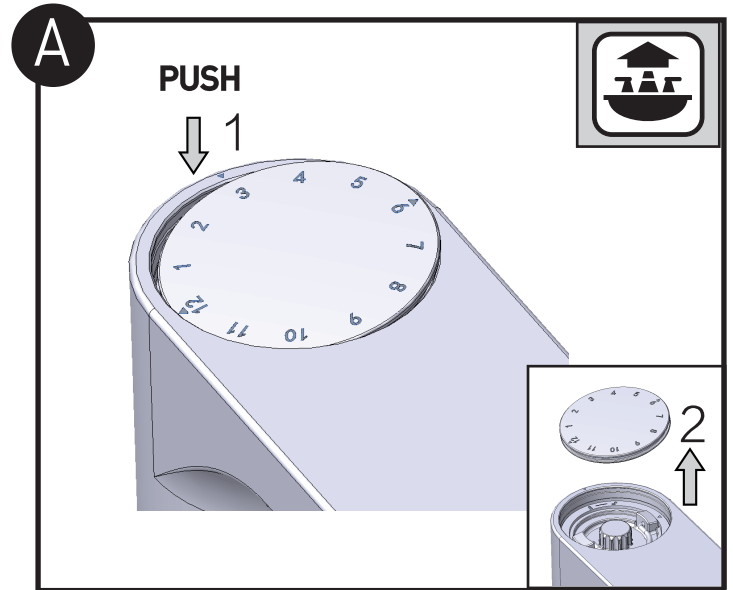
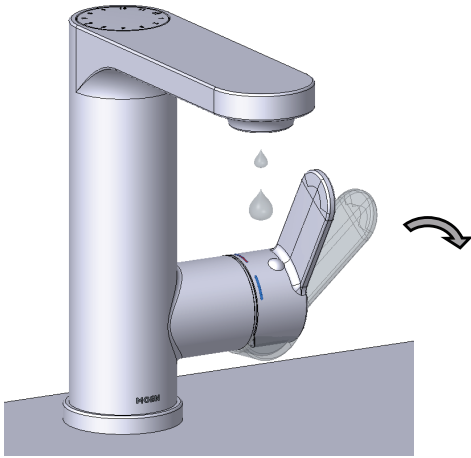


打开冷热角阀，检查是否漏水。

Turn on supply stop to check for any leaks.

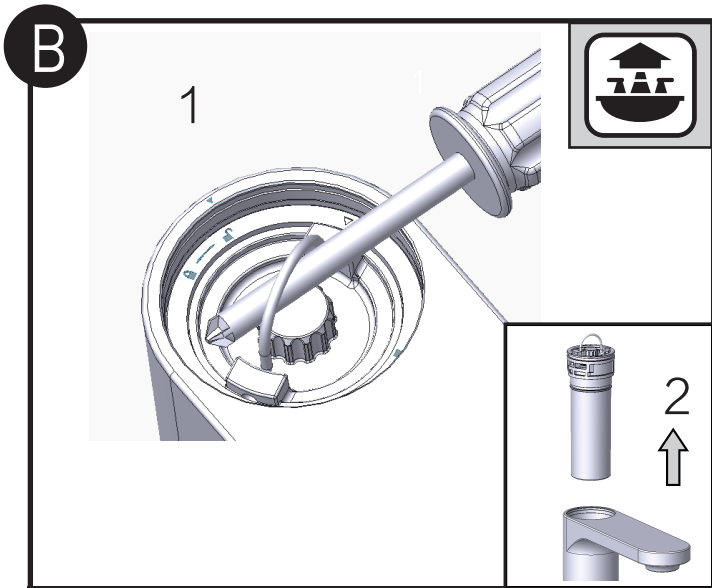
出水流量不正常的处理 Deal with Irregular Flow

如果水流不畅，请参考以下步骤处理。
Refer to next step if the flow is irregular.



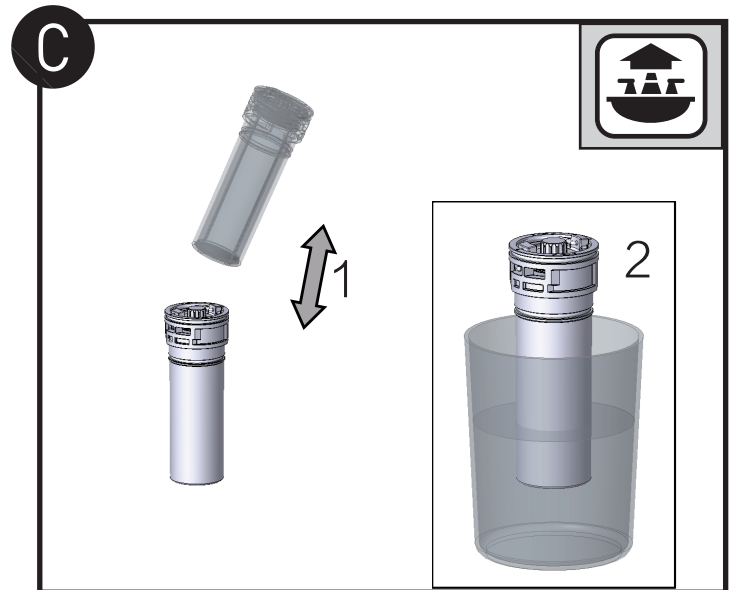
按压6月或12月位置，取出翘起的装饰盖。

Press the position of 6 or 12, and then take out the cover.



用螺丝刀或者其它工具穿过提环助力旋转取出滤芯。

Use a screwdriver or other tool to rotate through the lifting ring to take out the Filter.

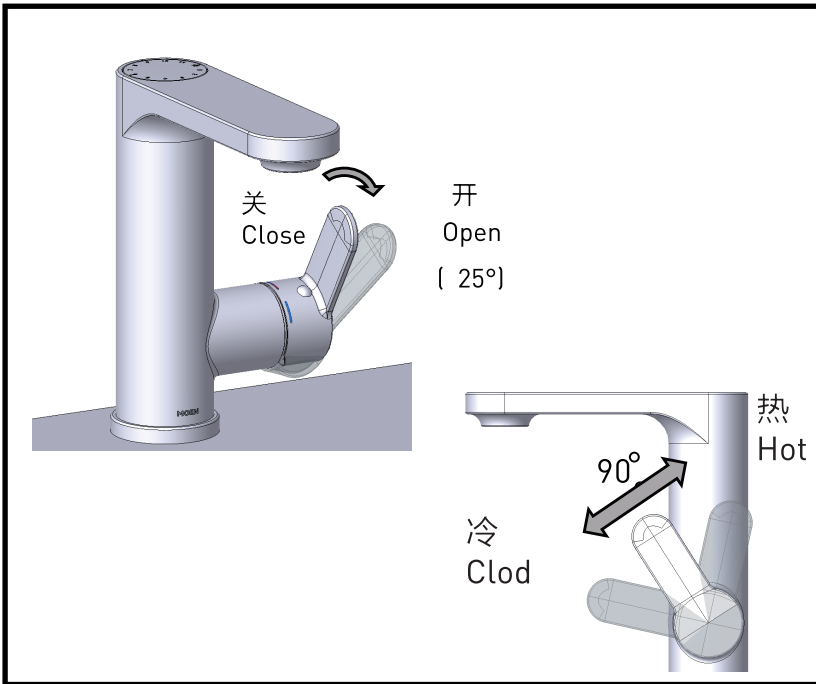


摇晃清洗滤芯后参考第6和第7步装回滤芯。

Shake and clean the Filter, and then install it back to faucet according to step 6 and step 7 above.

产品使用说明 Usage Instructions

- 把手的上下可移动角度范围为 0° - 25° 。
- 初次使用，需要预冲1-3分钟。
- The moving angles of the handle range from 0 to 25 degrees.
- Pre-rinse for 1 to 3 minutes for the first use.



滤芯更换说明 Filter Change Instructions

滤芯使用寿命约为4个月，到期后需更换滤芯。
更换滤芯的参考步骤：
步骤 A -> 步骤 B -> 步骤 6 -> 步骤 7。

注：安装滤芯时建议摇一摇后再安装。

The life cycle for filter is about 4 months. The filter should be replaced when it expires. The replacement procedure is:
step A -> step B -> step 6 -> step 7.

Note: It is recommended to shake the filter before replacement.

产品售后保修条款

摩恩产品是在高质量标准及生产工艺下制造的，摩恩承诺为消费者购买的洁具产品提供有期限免费保修及终身维修服务。

龙头免费保修期为：阀芯5年，电磁阀感应器2年，其它附件如淋浴杆、软管、花洒、落水、把手、装饰盖、提拉杆、混水器等保修期均为1年有限。均自消费者购买日（以摩恩产品分销商开具的发票或收据上载明日期为准）起计。

免费保修范围为产品及产品配件（如淋浴杆、软管、花洒、落水、把手、装饰盖、提拉杆、混水器等）由于材质及工艺原因而造成的故障或损坏。免费保修期内，我们将无偿为您提供修理服务及更换发生故障的产品或产品配件。摩恩的售后服务责任仅限于对故障产品的修理，而不延及您因产品故障而发生的其他损失，法律另有规定的除外。

您需了解：产品外观碰伤、刻划痕迹，以及滥用及不正当保养所导致的故障或损坏，均不属于免费保修范围。即使在免费保修期内，属下列（1）-（5）情况之一的，需酌情收取修理费用：

1. 不能出示相符的保修卡和有效购买凭证情况的，
2. 未按使用说明书告知的使用方法和注意事项造成的故障，
3. 自行拆卸、维修、改装所造成的故障和损坏，
4. 由于不可抗力等外部原因引起的故障和损坏，
5. 由于运输、搬卸、挤压等造成的损坏。

对于保修期外或不在保修范围内的产品，如需维修，摩恩将酌情收取上门费、人工费及材料费。

本保修条款仅对原始消费者和酒店行业的购买者有效，并不适用于本产品工业、商业、贸易和非酒店行业的使用。

如对本保修条款内容有任何疑问，请拨打400 630 8866 咨询热线，或向当地分销商咨询。

MOEN LIMITED WARRANTY

We offer limited warranty and lifetime maintenance for Moen products, which are all manufactured with high standards of workmanship.

The period of warranty shall start from the date of purchase of the product (according to the invoice or receipt issued by Moen distributors) and shall cover a period of the following: the warranty period for cartridge is 5 years, the warranty period for solenoid valve sensor is 2 years, the warranty period of other accessories such as shower bar, hose, shower, drain assembly, handle, cover, lift rod, aerator etc. is 1 year.

This warranty is your coverage against material and workmanship malfunction or defects in Moen products or components (such as shower bar, hose, shower, drain assembly, handle, cover, lift rod, aerator etc.). During the warranty period, we offer free maintenance and changing of malfunctioned products or product components. Moen's after sales service liability is limited to the maintenance of faulty items and does not cover your other losses caused by product malfunction, except for otherwise stipulated by law.

Cosmetic damages (scratches, dents, etc.) and malfunction or defects caused by abuse or improper maintenance is not covered by this warranty. Although the warranty period remains valid, in case of the following conditions (1) - (5), the maintenance cost (material cost and labor cost) shall still be charged as the case may be:

1. Corresponding warranty card and valid invoice cannot be presented;
2. Faults were caused by the incompliance with the instructions and precautions provided in the user's manual;
3. Damages and faults were caused by self-actuated dismantling, repair and refit;
4. Faults and damages were caused by external factors such as force majeure;
5. Damages were caused by transportation, unloading and extrusion, etc.

This warranty is valid for the original consumers only (including hotel use), and excludes industrial and commercial use of the product (except for hotel use). This card is only responsible for product maintenance rather than any other liabilities.

In the event that the product requires maintenance but exceeds the warranty period, or that the product is not covered by this warranty, labor cost and material cost shall be charged as the case may be.

Please call 400-630-8866 or contact local dealer for any question.

MOEN® 摩恩

合格证

Compliance Certification

产品名称 过滤式面盆龙头
Product Name Filtration Lavatory Faucet

检验员
Inspector _____

生产日期
Date of Production _____

富俊汇赢科技（上海）有限公司
中国（上海）自由贸易试验区新杨公路
1800弄1号4幢207室
邮编：201413

Fortune Brands Innovations (Shanghai) Co., Ltd
Room 207, Building 4, No.1, Lane 1800, Xinyang Highway,
China (Shanghai) Pilot Free Trade Zone