

REV	ECM NUMBER	CHG BY	PART NUMBER	MAKE FROM	MOEN COLOR	MOEN SPEC	LOGO MARKING
-	700000006631	LIN, JEFF	GN60407	SEE NOTE 2	CHROME	AASS 24H, GRADE 10	ES-180
-	700000006631	LIN, JEFF	GN60407BL	GN60407	MATTE BLACK	ES-135	ES-180
-	700000006631	LIN, JEFF	GN60407SRS	GN60407	SPOT RESIST STAINLESS	ES-135	ES-180
-	700000006631	LIN, JEFF	SKU_GN60407	SEE NOTE 2	CHROME	AASS 24H, GRADE 10	ES-180

SKU_GN60407SERIES	
DATA SHEET 1 OF 1	
SERIES CHANGE BY	VER
JLIN4	5
SERIES ECM NO.	700000006631

"DO NOT SCALE DRAWING"

"This document is the exclusive property of Moen Incorporated, and may not be reproduced, nor may the information contained therein or derivable therefrom be used in any manner except by written permission of Moen Incorporated. The proprietary rights to the aforesaid information, both of a patentable and unpatentable nature, are expressly reserved to Moen Incorporated."

CHARMANT HIH ARC KITCHEN

MOEN

MOEN INCORPORATED, 25300 AL MOEN DRIVE
NORTH OLMSTED, OH 44070, U S A

DRAW SIZE	DRAWING NO.
3	SKU_GN60407SERIES

4

3

2

1

4

3

2

5

SKU_GN60407SERIES

D

D

C

C

B

B

A

1.1 THE MAKE FROMS LISTED IN THE TABLE ABOVE REPRESENT THE TYPICAL METHOD OF MANUFACTURE AT MOEN INCORPORATED. A FINISH MAY ALSO BE PROCESSED STARTING FROM ITS RAW MATERIAL FORM. THIS DOES NOT PERMIT THE USE OF ALTERNATE RAW MATERIALS IF THEY ARE NOT EXPLICITLY LISTED ON MOEN DRAWINGS.

1.2 PARTS SHALL MEET APPROVED COSMETIC STANDARDS WHEN INSPECTED PER MOEN COSMETIC STANDARD PROCEDURE 02-05.

1.3 FINAL PART APPEARANCE PER MOEN COLOR DRAWING 104335.

1.4 UNLESS OTHERWISE SPECIFIED, ALL MOEN DRAWING REQUIREMENTS/DEFINITIONS MUST CONFORM TO MOEN ENGINEERING STANDARD ES-195

1.5 UNLESS OTHERWISE SPECIFIED IN THE PPAP DOC ON, BOTH THE VENDOR AND PARTS/ASSEMBLIES MUST CONFORM TO THE REQUIREMENTS OF THE FORTUNE BRANDS GLOBAL PLUMBING GROUP PPAP MANUAL, LATEST REVISION

1.6 UNSPECIFIED PART GEOMETRY PER MOEN 3D PART FILE AND MUST CONFORM WITHIN A BILATERAL PROFILE TOLERANCE OF $\pm .050$ A B C

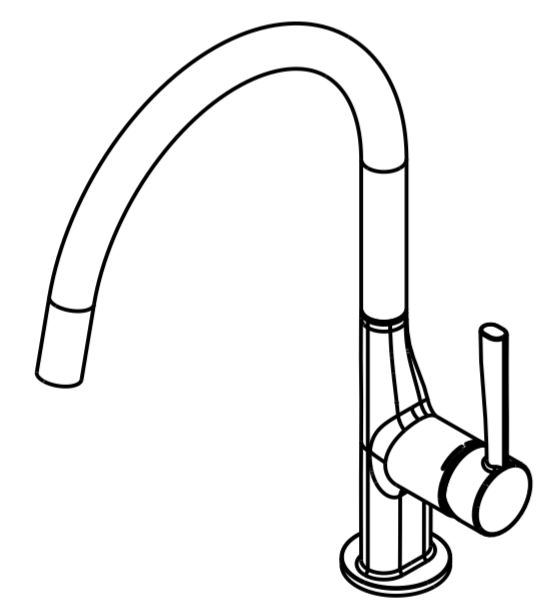
1.7 UNLESS OTHERWISE SPECIFIED, ALL DIMENSIONS APPLY TO ALL FINISHES

1.8 TOLERANCED DIMENSIONS REFERENCED BY THIS NOTE APPLY TO CHROME AND CHROME NM FINISHES ONLY. ASSOCIATED MIN OR MAX DIMENSION APPLIES TO ALL OTHER FINISHES

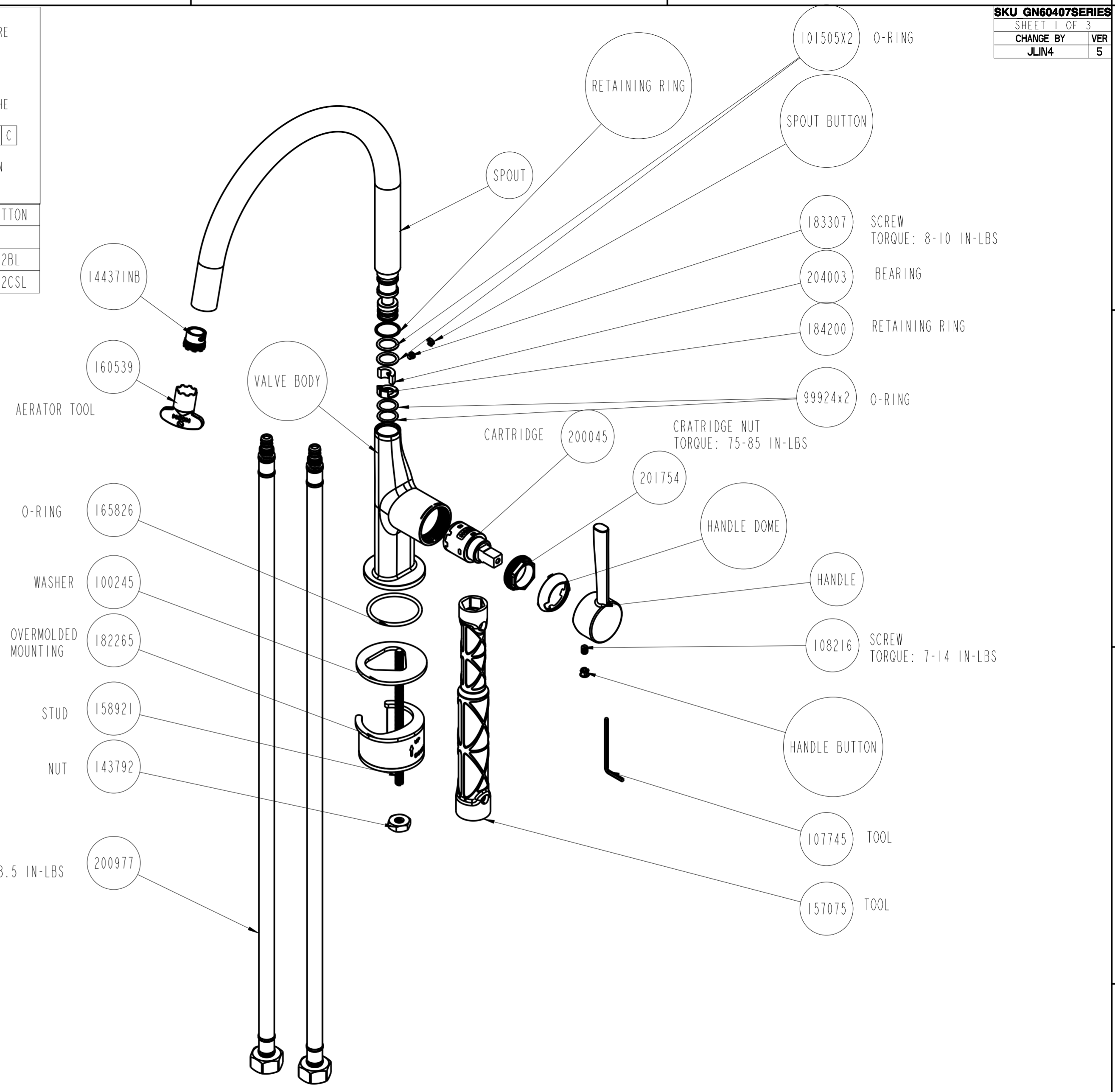
1.9 APPLY TEXTURE TO GEOMETRY AS SHOWN BY TEXTURE ARROWS. APPLIES TO TEXTURED FINISHES

PART NUMBER	SPOUT	VALVE BODY	RETANING RING	HANDLE DOME	HANDLE	HANDLE BUTTON	SPOUT BUTTON
GN60407	200955	200957	200958	201755	200956	153562	133397
GN60407BL	200955BL	200957BL	200958BL	201755BL	200956BL	153562BL	133397-02BL
GN60407SRS	200955SRS	200957SRS	200958	201755SRS	200956SRS	153562CSL	133397-02CSL

SKU GN60407SERIES
SHEET 1 OF 3
CHANGE BY JLIN4
VER 5



SCALE 3:10



SCALE 2:5

"DO NOT SCALE DRAWING"
UNLESS OTHERWISE SPECIFIED
INTERPRET DRAWING PER ASME Y14.5-2009

VALID ECM NUMBER	70000006631
EST. WEIGHT-gr [lb] [2344]	152628.704 [159491.544]
EST. VOLUME-cm ³ [in ³]	221.333 [13.507]
EST. SURF-AREA-mm ² [in ²]	260083.738 [403.131]
EST. COSM SURF AREA in ²	
PROJECT NUMBER	

"This document is the exclusive property of Moen Incorporated, and may not be reproduced, nor may the information contained therein or derivable therefrom be used in any manner except by written permission of Moen Incorporated. The proprietary rights to the aforesaid information, both of a patentable and unpatentable nature, are expressly reserved to Moen Incorporated."

CHARMANT HIH ARC KITCHEN

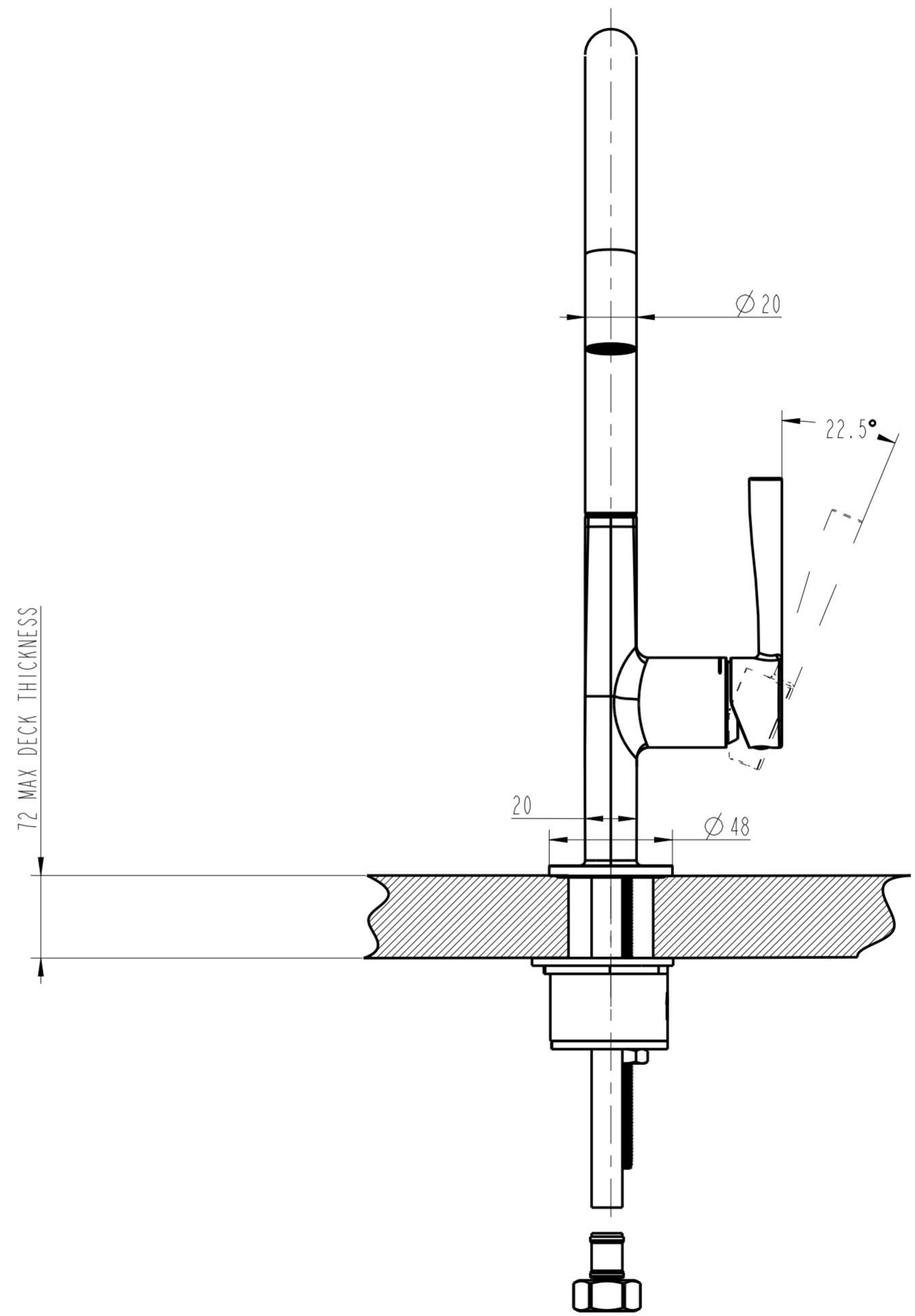
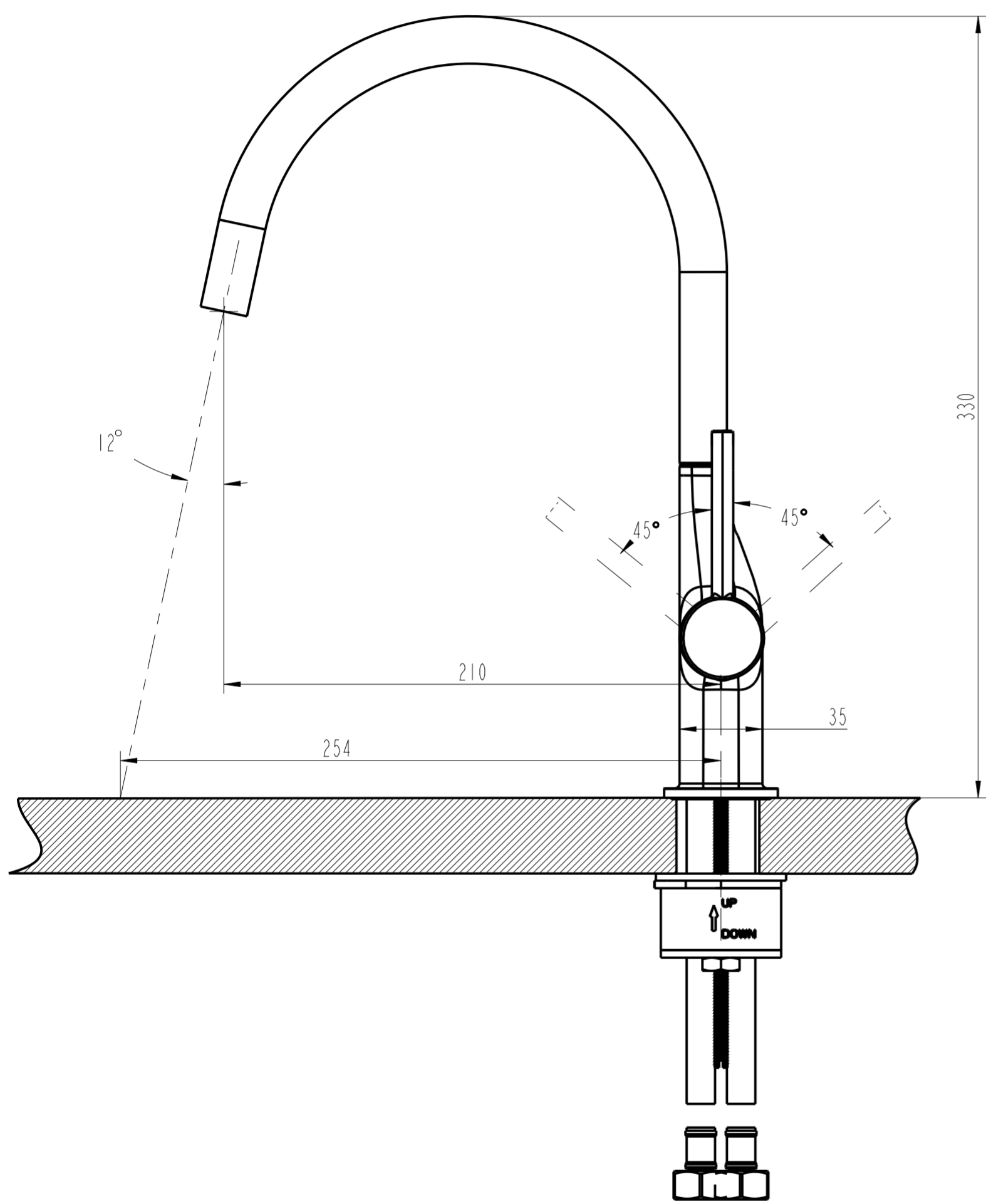
UNITS METRIC [ENGLISH]

DIMENSION CLASSIFICATION

MOEN
MOEN GUANGZHOU FAUCET CO., LTD
SHANGYUANGANG SHAHE TIANHE GUANGZHOU P. R. CHINA

DRAWN BY JLIN
APPROVED HANK YI

DATE 16-Apr-20
DRAW SIZE A2
SCALE 277:3600
DRAWING NO. SKU GN60407SERIES



"DO NOT SCALE DRAWING"
UNLESS OTHERWISE SPECIFIED
INTERPRET DRAWING PER ASME Y14.5-2009

VALID ECM NUMBER	700000006631
EST. WEIGHT-gr [lb] [2344]	152628.704 [159491.544]
EST. VOLUME-cm ³ [in ³]	221.333 [13.507]
EST. SURF. AREA-mm ² [in ²]	260083.738 [403.131]
EST. COSM. SURF. AREA in ²	
PROJECT NUMBER	

"This document is the exclusive property of Moen Incorporated, and may not be reproduced, nor may the information contained therein or derivable therefrom be used in any manner except by written permission of Moen Incorporated. The proprietary rights to the aforesaid information, both of a patentable and unpatentable nature, are expressly reserved to Moen Incorporated."

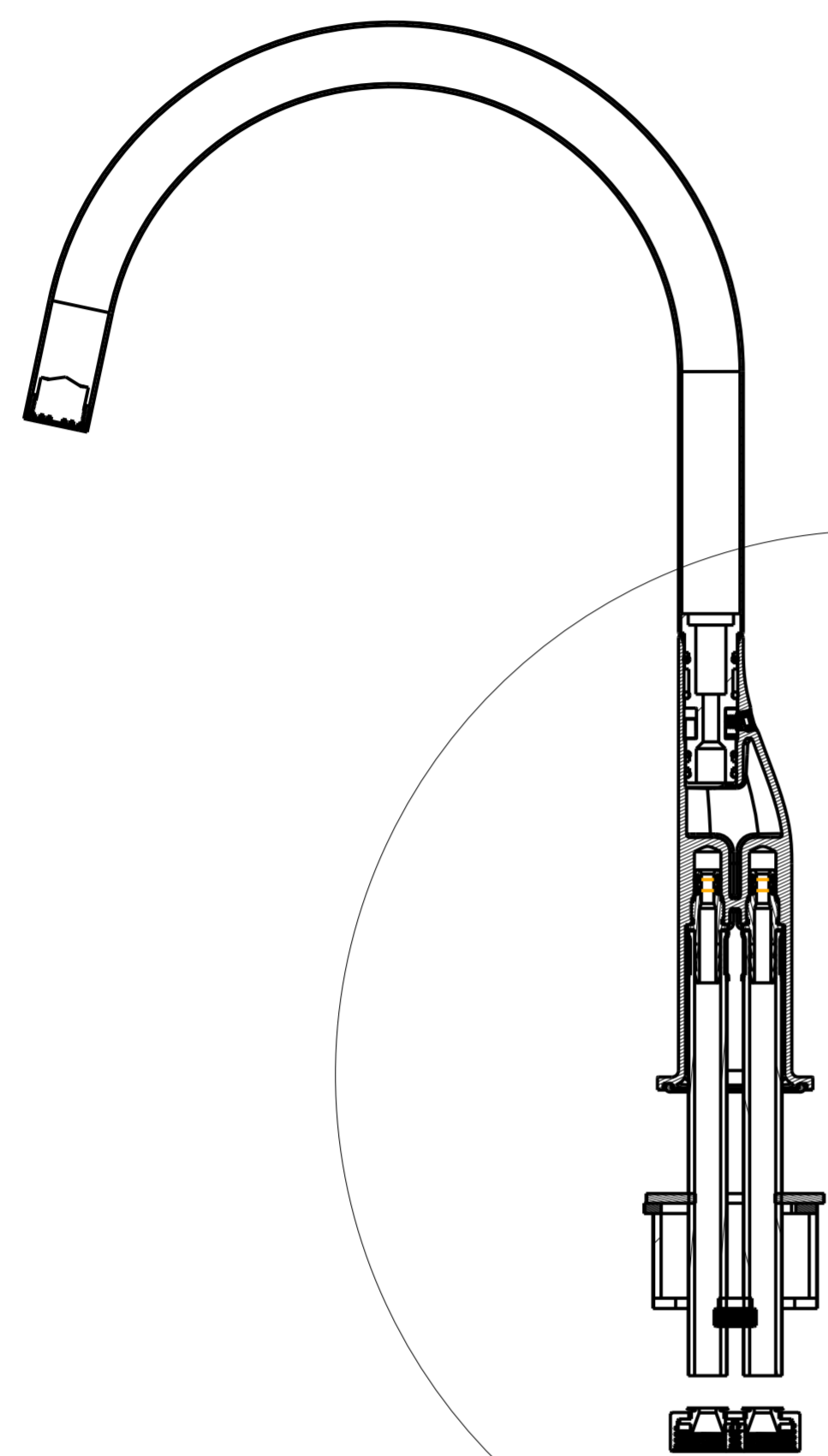
CHARMANT HIH ARC KITCHEN

UNITS METRIC [ENGLISH]

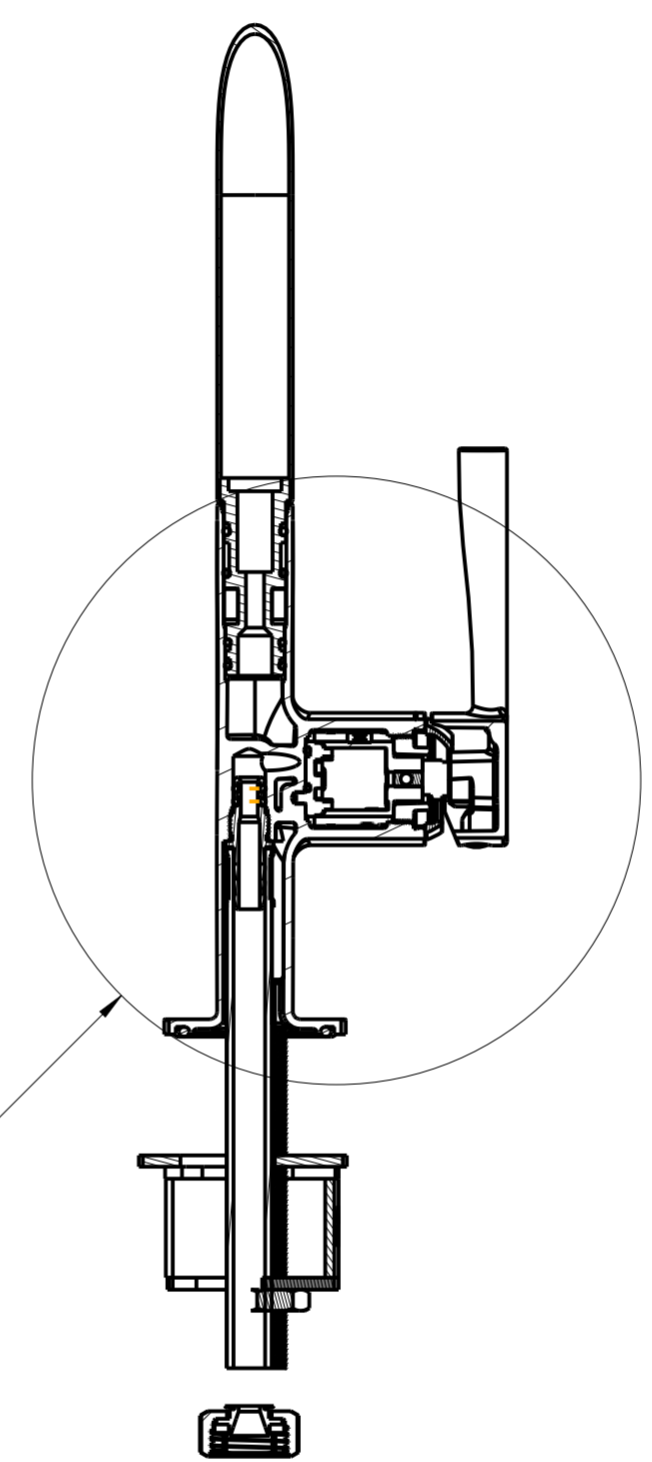
DIMENSION CLASSIFICATION
DIMENSIONAL CHARACTERISTIC EST. STATISTICAL TOLERANCE

MOEN
MOEN GUANGZHOU FAUCET CO., LTD
SHANGYUANGANG SHAHE TIANHE GUANGZHOU P. R. CHINA

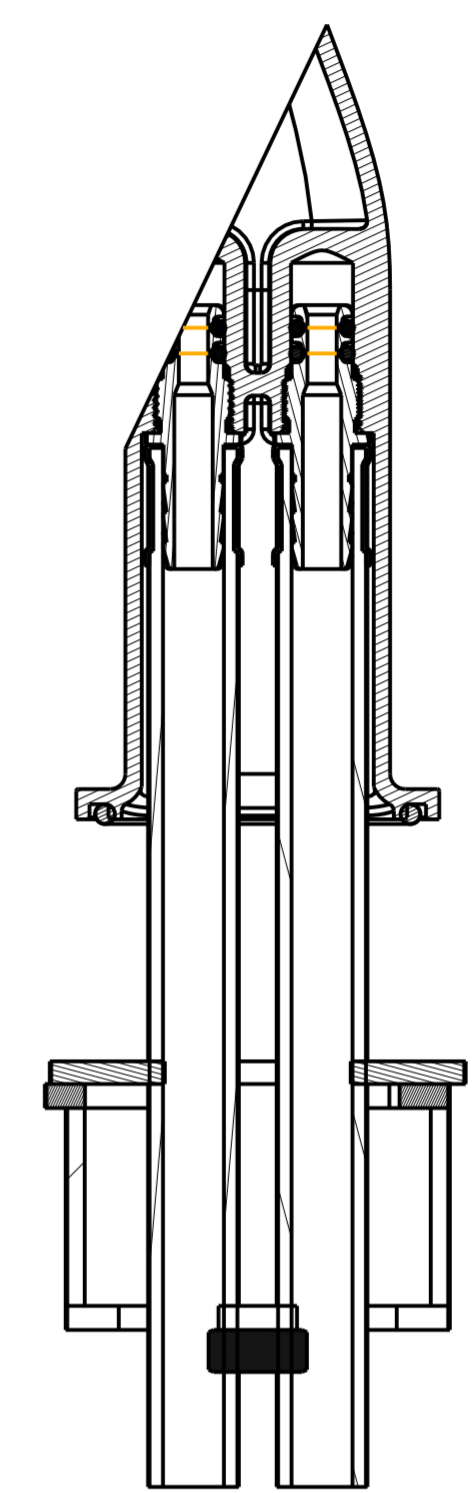
DRAWN BY	JLIN	APPROVED	HANK YI
DATE	16-Apr-20	SCALE	1:2
DRAW SIZE	A2	DRAWING NO.	SKU GN60407SERIES



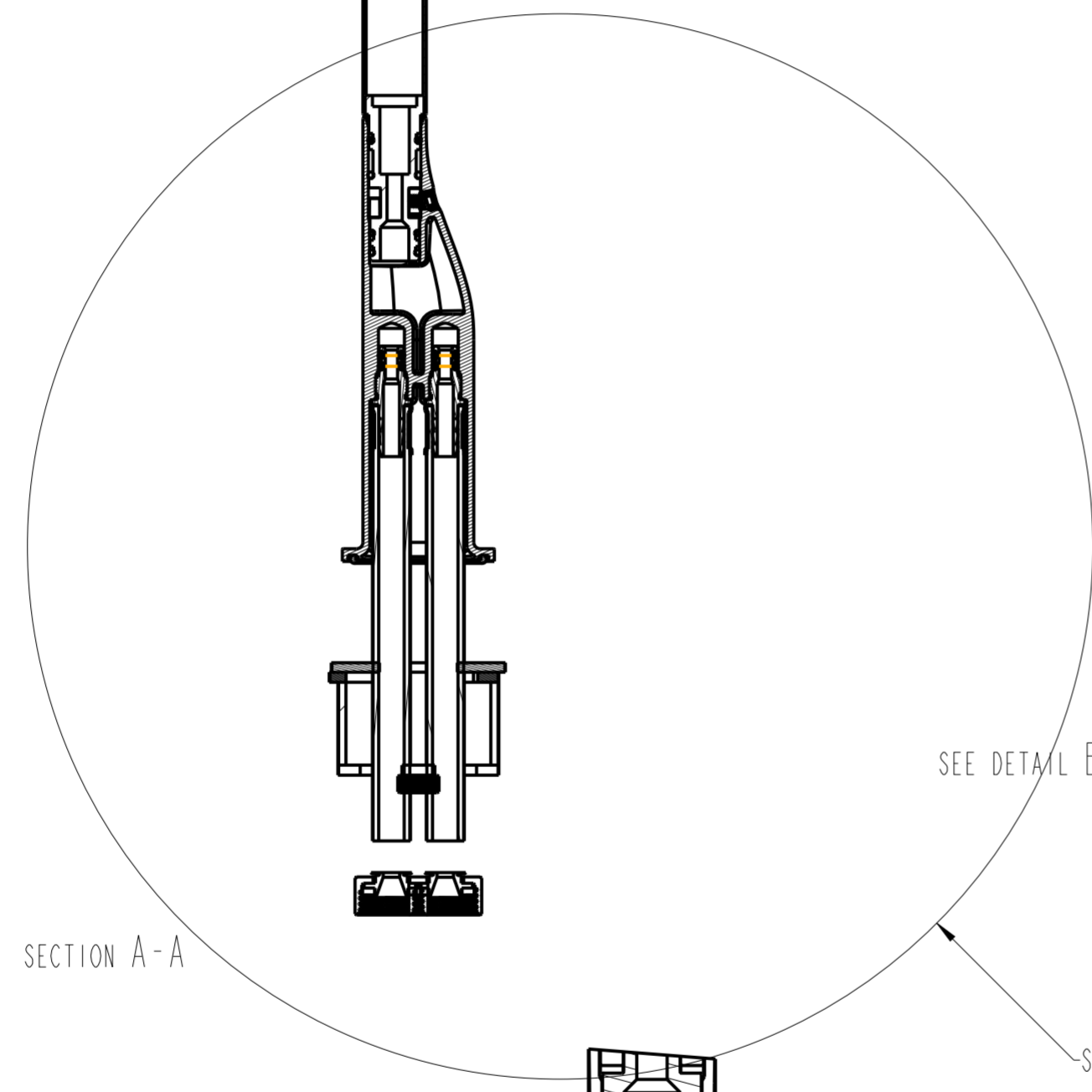
SECTION A-A



SECTION XSEC0002-XSEC0002



DETAIL A
SCALE 1:1



DETAIL B
SCALE 1:1

SEE DETAIL B

SEE DETAIL A

"DO NOT SCALE DRAWING"
UNLESS OTHERWISE SPECIFIED
INTERPRET DRAWING PER ASME Y14.5-2009

VALID ECM NUMBER	700000006631
EST. WEIGHT-gr [lb] [2344]	152628.704 [159491.544]
EST. VOLUME-cm ³ [in ³]	221.333 [13.507]
EST. SURF. AREA-mm ² [in ²]	260083.738 [403.131]
EST. COSM. SURF. AREA in ²	
PROJECT NUMBER	

"This document is the exclusive property of Moen Incorporated, and may not be reproduced, nor may the information contained therein or derivable therefrom be used in any manner except by written permission of Moen Incorporated. The proprietary rights to the aforesaid information, both of a patentable and unpatentable nature, are expressly reserved to Moen Incorporated."

CHARMANT HIH ARC KITCHEN	
UNITS METRIC [ENGLISH]	DIMENSION CLASSIFICATION
DRAWN BY: JLIN	
APPROVED: HANK YI	
DATE: 17-Apr-20	DRAW SIZE: A2
SCALE: 1:2	DRAWING NO.: SKU GN60407SERIES