

**DESCRIPTION**

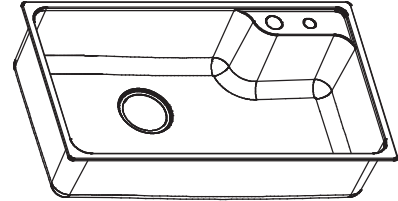
- Hawaii series one bowl sink
- SS.304 construction with Brush and Satin finishes
- Thickness :1.0 mm
- One-stamping , Laser MOEN logo
- One kitchen faucet hole , one soap dispenser hole as indicated
- Cutout size : Top mounting: 786x466xR12mm  
Under mounting:764x444xR40mm
- SoundsShield system
- Mounting hardware included

**STANDARD**

- Comply with QB/T 4013-2010

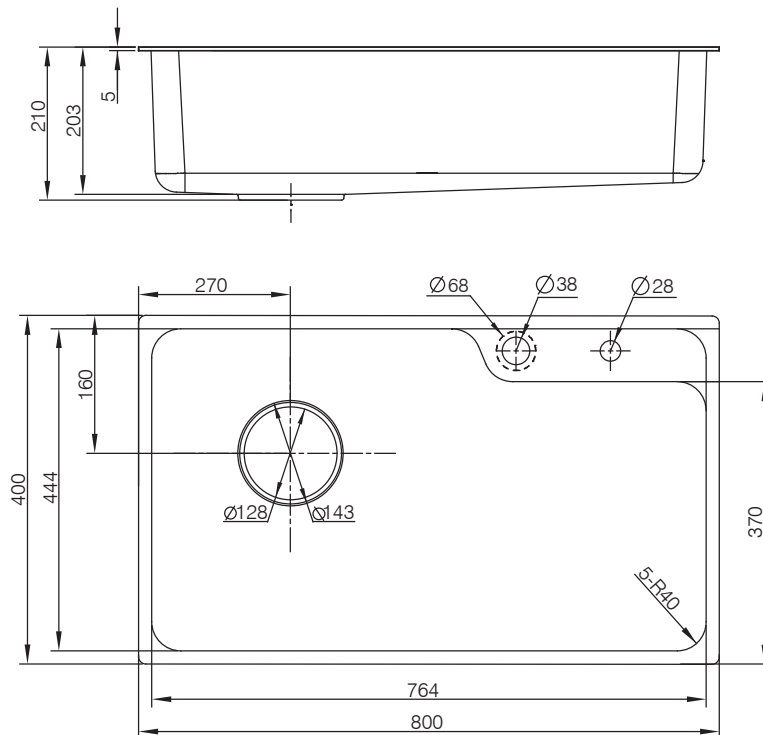
**WARRANTY**

- 5 years limited warranty against leaks and drips
- 1 year limited warranty for sink accessories



Hawaii  
Stainless steel single bowl sink  
Models: 29018SLECP  
28018SL  
29018

Units : mm



**CRITICAL DIMENSION**

(DO NOT SCALE)