

描述

- 产品尺寸: 317 x 192 x 65mm
- 具有多种表面处理工艺
- G1/2连接口
- 包含淋浴杆、喷枪花洒、顶喷花洒、手持花洒、1500毫米淋浴软管和1200毫米喷枪软管

操作

- 左侧旋钮为出水和功能旋钮, 按压旋钮开启或关闭龙头, 旋转旋钮切换出水模式
- 右侧旋钮为温控旋钮, 旋钮在中间位置默认为38℃, 顺时针旋转为冷水, 按压温度安全锁并逆时针旋转切换热水(最高为49℃)

流量

- 0.1兆帕时, 使用顶喷花洒和手持花洒的流量不小于4.0升每分钟, 不大于9.0升每分钟

阀芯

- 恒温阀芯(采用石蜡温包)控制水温, 分水陶瓷阀芯切换出水模式

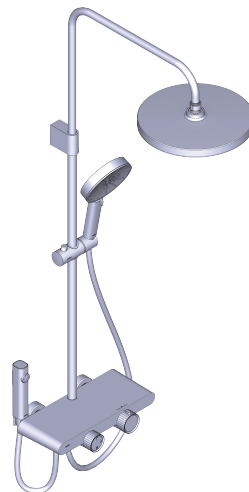
执行标准

(凡不注明日期, 即为最新版本)

- 符合QB/T 2806

质保期

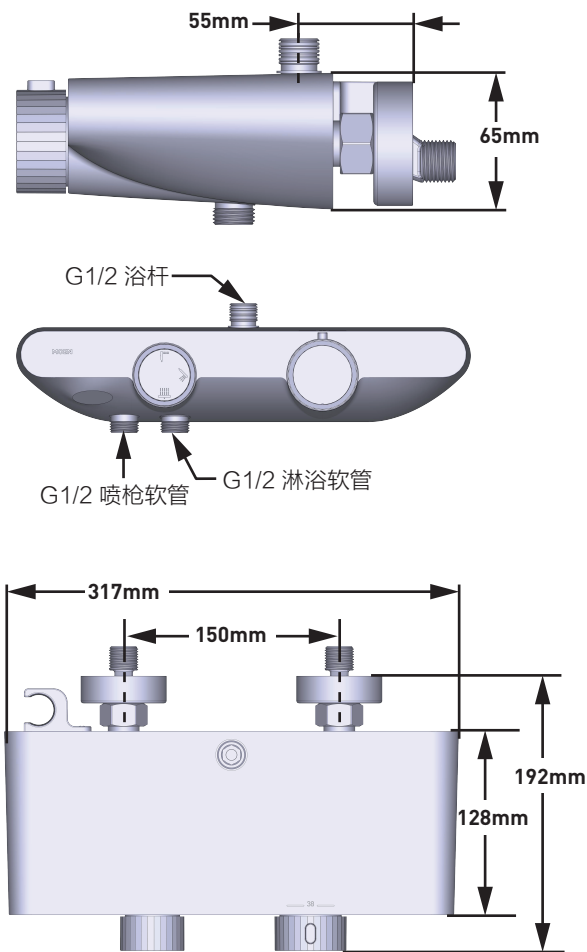
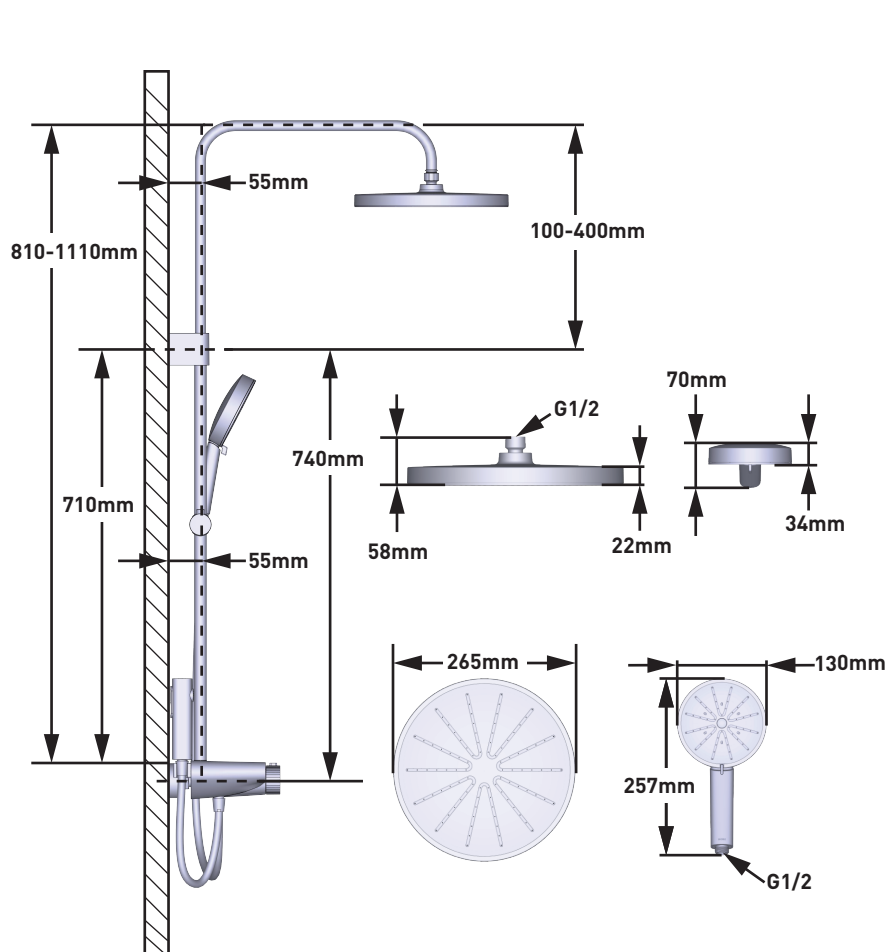
- 阀芯保修期为5年, 其他附件如软管、把手、混水器等保修期均为2年



内卡系列

墙装淋浴龙头套装

型号: SFH23243S系列



MOEN® 摩恩®

SPECIFICATIONS

DESCRIPTION

- Product Dimensions: 317 x 192 x 65mm
- Various surface treatment processes
- G1/2 inlet connections
- Includes Shower Bar, Spray Gun, Showerhead, Hand Shower, 1500mm Shower Hose and 1200mm Spray Gun Hose

OPERATION

- The knob on the left is for water flow and functions. Press the knob to turn the water flow on or off, and rotate the knob to switch water flow modes
- The right knob is the temperature control knob, the knob defaults to 38°C in the central position. Rotating clockwise provides cold water, while pressing the temperature safety lock and rotating it counterclockwise switches to hot water (maximum 49°C)

FLOW

- Flow rate at 0.1MPa is about 4.0L/min to 9.0L/min with Showerhead and Hand Shower

CARTRIDGE

- The Thermostatic Cartridge (Using Wax Element) controls the water temperature, and the Ceramic Diverter Cartridge switches water outlet mode

STANDARDS

(Unless otherwise dated, it is considered to be the latest version)

- Conforms to QB/T 2806

WARRANTY

- 5-year limited warranty for cartridge, 2-year limited warranty for other accessories (Including hose, handle, aerator, etc.)



NECKAR Series Shower Faucet

MODELS: SFH23243S Series

