

MOEN® 摩恩

Specifications

DESCRIPTION

- G1/2 inlet connections
- Metal construction with various finishes identified by suffix
- Lavatory faucet with KDF filter

OPERATION

- Rocking bar handle
- Operates with soft water

FLOW

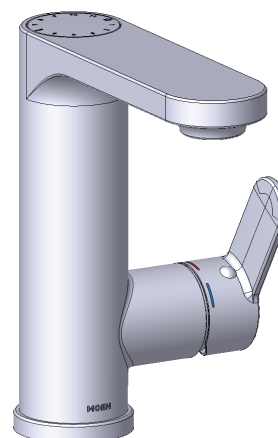
- Water flowrate is about 3.0L /min to 4.5 L/min at 0.1 Mpa.
- Water flow difference is limited to 3.0 L/min minimum from 0.1 Mpa to 0.3 Mpa.

STANDARDS

- Designed to meet GB18145; GB25501 (Grade 1)

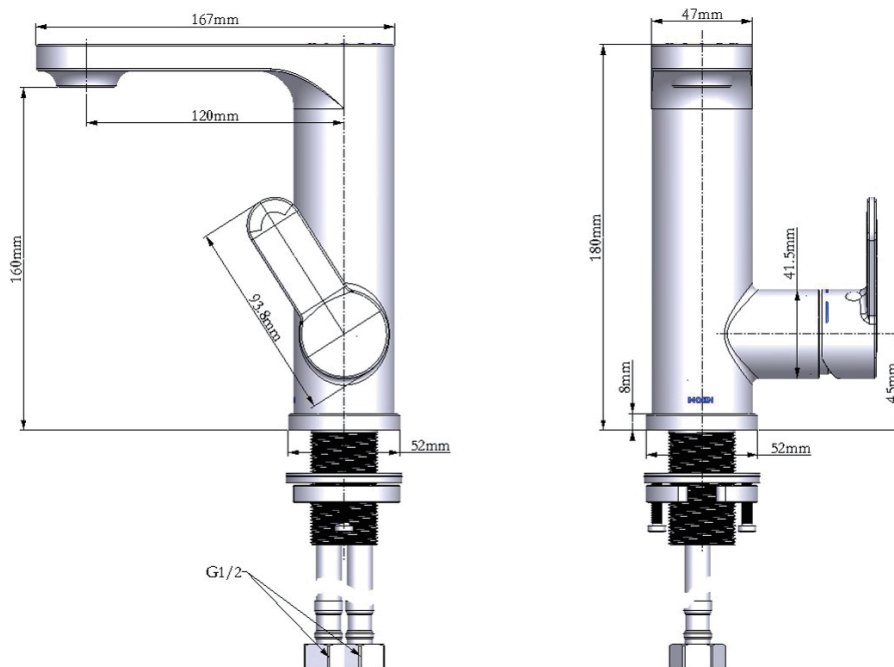
WARRANTY

- 5 years limited warranty against leaks and drips



PURER FILTRATION LAV FAUCET

MODELS : GN60121 series



CRITICAL DIMENSIONS DO NOT SCALE