

DESCRIPTION

- Blade series dual bowl sink
- SS.304 construction with Satine finish
- Thickness :1.0 mm
- One-stamping , Laser MOEN logo
- One kitchen faucet hole , one soap dispenser hole as indicated
- SB032MCL01 ,50mm Drainage pipe ,G2 connection
- SB36/SB20 Drainer with basket, G2 connection
- Cutout size : Top mounting: 806x436xR15mm
Under mounting: 790x420xR10mm
- SoundsShield system
- mounting hardware included

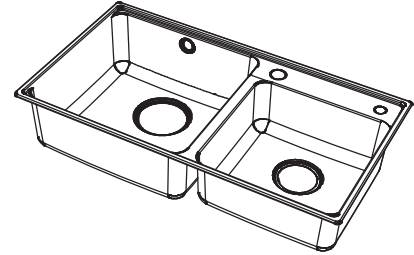
STANDARD

- Comply with QB/T 4013-2010

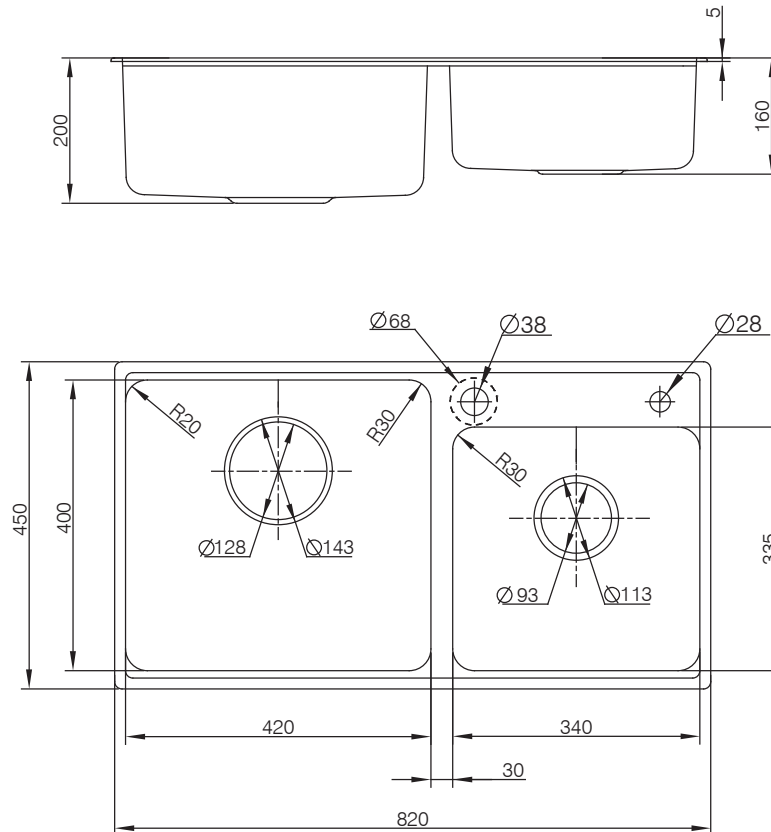
WARRANTY

- 5 years limited warranty against leaks and drips
- 1 year limited warranty for sink accessories

Units : mm



Blade
Stainless steel dual bowl sink
Models: 27604



CRITICAL DIMENSION

(DO NOT SCALE)