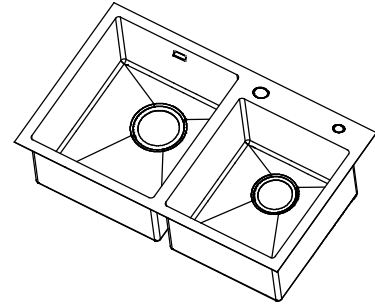


## DESCRIPTION

- Sharp series dual bowl sink
- SS.304 construction with brush finish
- Hand made sink ,Thickness , 1.03mm
- One kitchen faucet hole , one soap dispenser hole as indicated
- With SB042 50mm Drainage pipe ,G2 connection
- SB46/SB20 Drainer with basket, G2 connection
- Under mounting, cutout size : 805mmX425mmXR10mm  
Top mounting, cutout size : 780mmX400mmXR10mm  
mounting hardware included
- SoundsShield system



Sharp  
Stainless steel dual bowl sink  
Models: 27542SL

## STANDARD

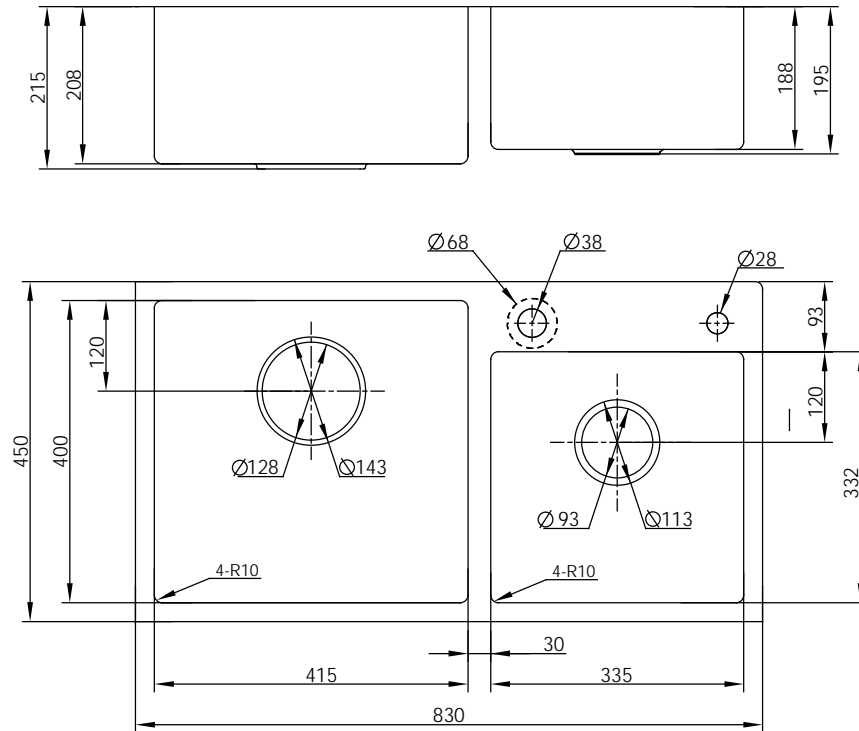
- Comply with QB/T 4013-2010

## WARRANTY

- 5 years limited warranty against leaks and drips
- 1 year limited warranty for sink accessories

Match with 27154SL Bowl in bowl and 56884 Rinse basket

Units : mm



## CRITICAL DIMENSION

(DO NOT SCALE)