

## DESCRIPTION

- Metal construction with various finishes identified by suffix
- Designed to be installed through 2, 1-1/4" and 1, 1" min. dia. holes 8" on center
- 1/2" copper connections
- Adaptable for non-8" centers

## OPERATION

- Maximum handle rotation angle is 90° to full on for either handle
- Rotate hot side counterclockwise to open and clockwise to close
- Rotate cold side clockwise to open and counterclockwise to close


## FLOW

- Water usage is limited to these maximum flow rates as indicated by the corresponding product markings
  - ° 1.2 gpm max (4.5L/min) at 60 psi

## CARTRIDGE

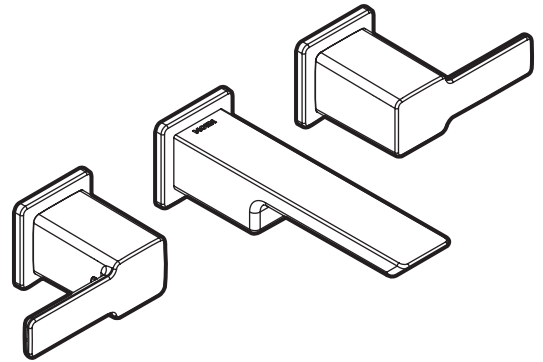
- 1224 cartridge design nonmetallic/nonferrous and stainless steel material

## STANDARDS

- Third party certified to WaterSense®, ASME A112.18.1/CSA B125.1, and all applicable requirements referenced therein
- Certified to NSF 61/9 & 372
- Products marked with 1.2 gpm are compliant with California water efficiency regulations
- Complies with California Proposition 65 and with the Federal Safe Drinking Water Act
- **ADA**  for handles

## WARRANTY

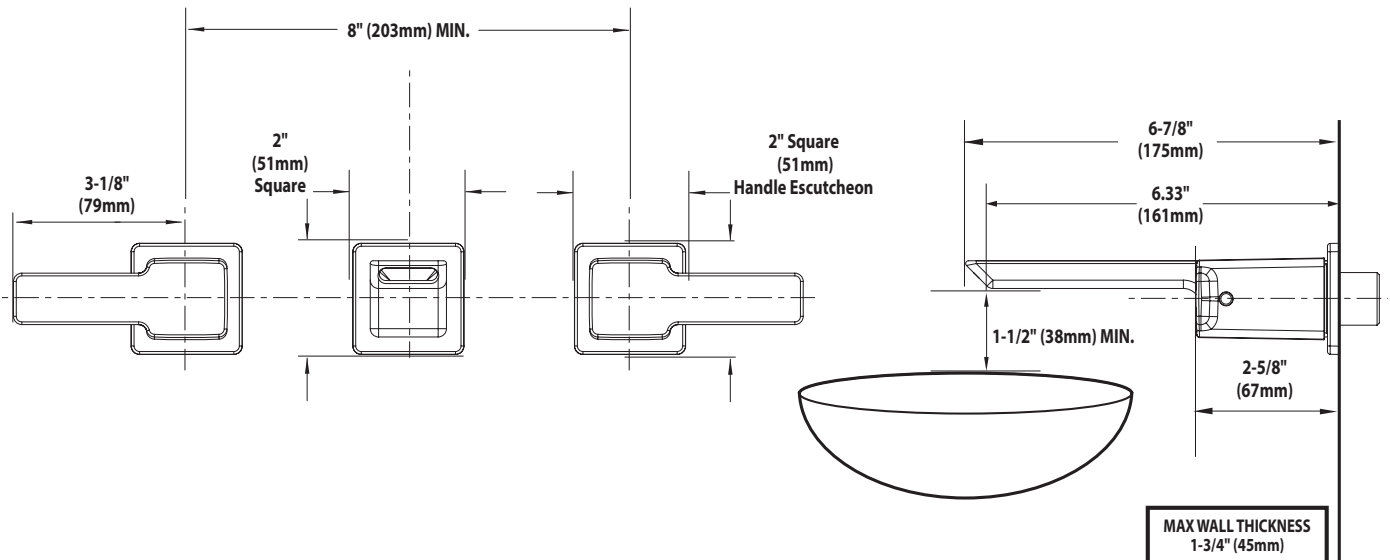
- Lifetime limited warranty against leaks, drips and finish defects to the original homeowner
  - 10 year limited warranty when used in a multifamily installation
  - 5 year limited warranty when used in a commercial installation
- Visit [www.moen.com/support](http://www.moen.com/support) for complete details and limitations



## 90 DEGREE™ Two-Handle Wall Mount Faucet

**Model:** TS6730 series

**Valve:** 9700



## CRITICAL DIMENSIONS

(DO NOT SCALE)