

MOEN® 摩恩

Specifications 规格书

产品描述

- 不锈钢双槽
- 304不锈钢结构钢, 厚度: 面板3.0mm, 槽体1.0mm
- 台下安装方式, 配安装五金件
台下开孔尺寸: 780mm X 440mm X R10mm
- 消音处理

标准

- 符合GB/T 38474-2020

质保期

- 水槽本体有限质保5年
- 水槽配件有限质保1年

DESCRIPTION

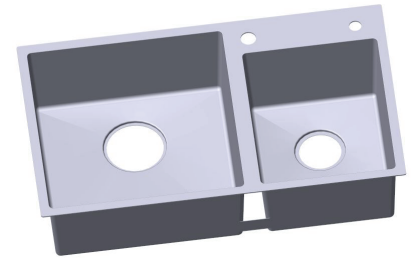
- Stainless steel double bowl sink
- SS.304 construction, thickness: pannel 3.0mm, bowl 1.0mm
- Under mounting, mounting hardware included
Opening size of basin under platform: 780mm X 440mm X R10mm
- Sounds Shield system

STANDARD

- Comply with GB/T 38474-2020

WARRANTY

- 5 years limited warranty for sink body
- 1 year limited warranty for sink accessories

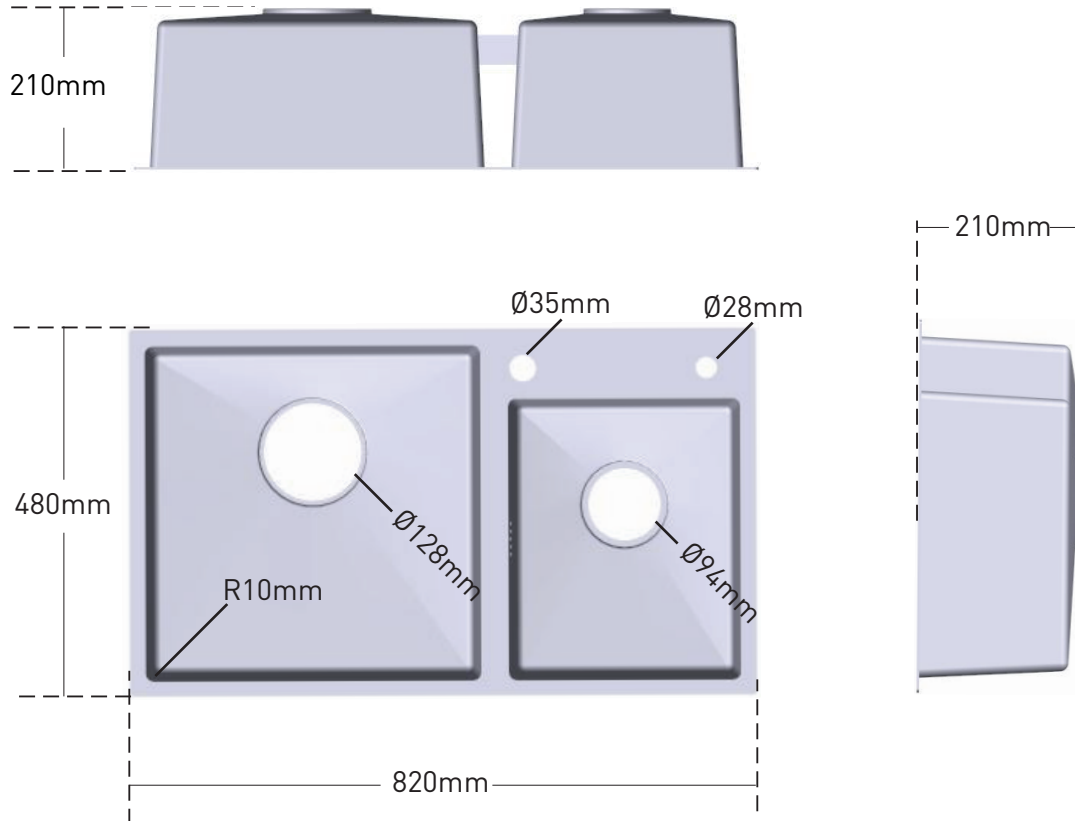


夏普/Sharp

不锈钢双槽

Stainless Steel Double Bowl Sink

| 型号/SKU | 落水头/Drainer | 排水管/Pipe | 预留孔/Reserved Hole | 表面颜色/Moen Color |
|-----------|-------------|----------|-------------------|--------------------------------|
| SK75923EB | SB50+SB46 | SB032 | Ø28 | 枪灰色+纳米/Gun Gray + Nano Coating |
| SK75923 | NA | NA | Ø28 | 枪灰色+纳米/Gun Gray + Nano Coating |



CRITICAL DIMENSIONS DO NOT SCALE