

DESCRIPTION

- Metal construction with a chrome finish
- Include 2 pieces of 800mm long flexible connect hose with G1/2 connector.

OPERATION

- Lever style handle
- Pull-on / Push-off
- Temperature controlled through 100 degree arc of handle travel

FLOW

- Flowrate is about 0.10L/s under 0.3Mpa with restrictor and aerator
- Flowrate is about 0.07L/s under 0.1Mpa with restrictor and aerator

CARTRIDGE

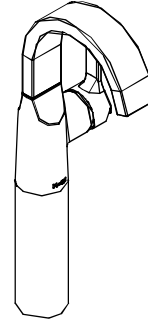
- MOEN Duralast 146565 cartridge design
- Nonmetallic / nonferrous and ceramic material

STANDARD

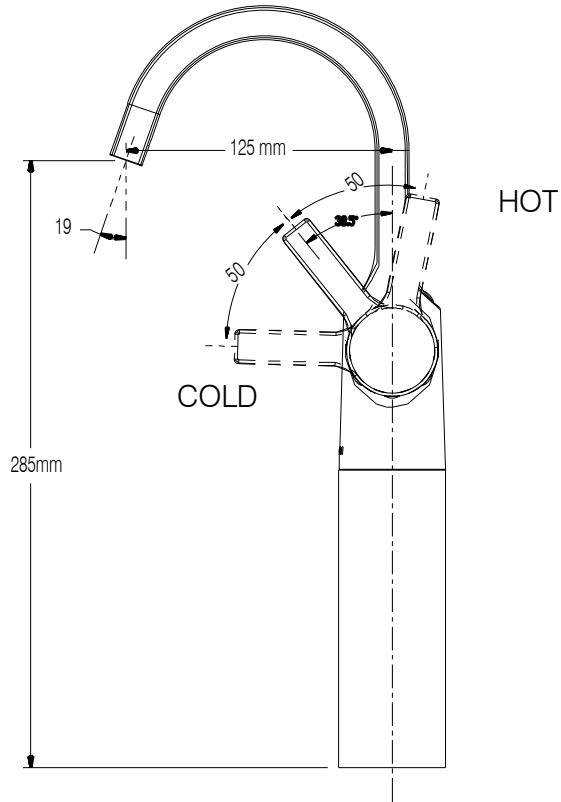
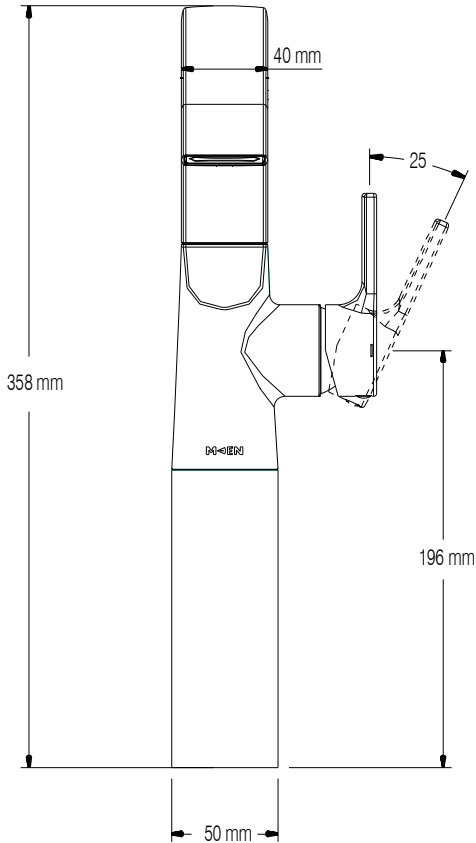
- Designed to meet GB 18145

WARRANTY

- 5 years limited warranty against leaks and drips



Fascination 1H Lavatory Vessel
MODEL: GN63123



CRITICAL DIMENSION
(DO NOT SCALE)